

Isolateurs / Insulators

IDENTIFICATION	Numéro de catalogue / Catalog number	<b>53-1</b>	<b>53-1 SP</b>	<b>53-2</b>
	NBR 6249 Class	R900-1	R900-1	R1350-2
	ANSI C29.3 Class	53-1	53-1	53-2
ELECTRICAL	Estimation / Rating	1.2 kV	1.2 kV	1.2 kV
	Low-frequency wet withstand horiz	9 kV	9 kV	13.5 kV
	Low-frequency wet withstand vert	7 kV	7 kV	10 kV
	Low-frequency dry withstand	18.5 kV	18.5 kV	22 kV
	Low-frequency dry flashover	20 kV	20 kV	25 kV
	Low-frequency wet flashover horiz	10 kV	10 kV	15 kV
	Low-frequency wet flashover vert	8 kV	8 kV	12 kV
MECHANICAL	Minimum Cantilever Strength (daN)	900	900	1350
DIMENSION	Leakage (creepage) distance	1-7/8" (48 mm)	1-7/8" (48 mm)	2-3/4" (71 mm)
	Diamètre de l'isolateur « D » / Insulator diameter « D »	2-1/4" (57 mm)	2-1/4" (57 mm)	3-1/8" (80 mm)
	Hauteur Totale « H » / Total height « H »	2-1/8" (54 mm)	2-1/8" (54 mm)	3" (76.2 mm)
	Diametre du cou « A » Neck diameter « A »	1-1/2" (38 mm)	1-1/2" (38 mm)	1-3/4" (45 mm)
	Diamètre du trou « B » / Hole diameter « B »	11/16" (17.5 mm)	9/16" (14.3 mm)	11/16" (17.5 mm)
	Side groove radius R1	7/16" (11 mm)	7/16" (11 mm)	11/16" (18 mm)
PACKING	Poids (lbs/100) / Weight (lbs/100)	44	55	112
	Units per pachege (un.)	100	48	24

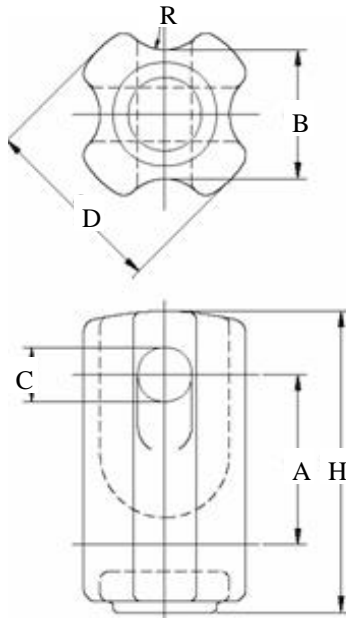
**Matériel:** Porcelaine grise

**Material:** Grey porcelain

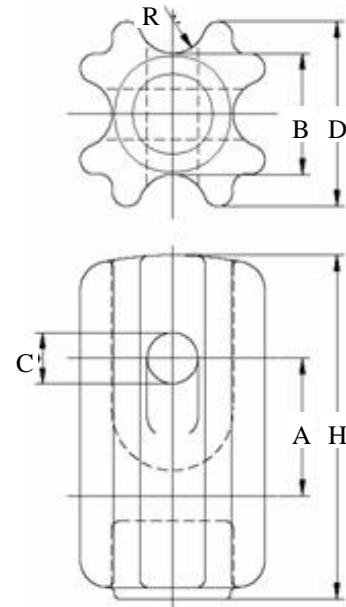
## ISOLATEUR BOBINE / SPOOL INSULATOR



Isolateurs / Insulators



54-1 / 54-2 / 54-3



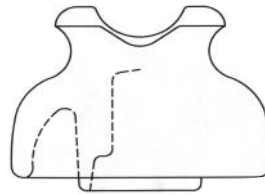
54-4

IDENTIFICATION	Numéro de catalogue / Catalog number.	54-1	54-2	<b>54-3</b>	<b>54-4</b>
	NBR 6249 Class	C4500-1		C9000-1	
	ANSI C29.3 Class	54-1	54-2	54-3	54-4
ELECTRICAL	Low-frequency wet withstand (kV)	12		16	
	Low-frequency dry withstand (kV)	25		31	
	Low-frequency dry flashover (kV)	26	30	35	35
	Low-frequency wet flashover (kV)	13	15	18	18
MECHANICAL	Minimum Cantilever Strength (daN)	4500	5300	9000	8900
DIMENSION	Leakage (creepage) distance (mm)	1-5/8" (42 mm)	1-7/8" (48 mm)	2-1/4" (57 mm)	3" (76 mm)
	Hauteur totale « H » / Total height « H »	3-1/2" (89 mm)	4-1/4" (108 mm)	5-1/2" (140 mm)	6-3/4" (171 mm)
	Outside diameter « D »	2-1/2" (64 mm)	2-7/8" (73 mm)	3-3/8" (86 mm)	3-1/2" (89 mm)
	Neck diameter « B »	1-3/4" (44 mm)	2-1/8" (54 mm)	2-3/8" (60 mm)	2-3/8" (60 mm)
	Hole diameter « C »	5/8" (16 mm)	7/8" (22 mm)	1" (25 mm)	1" (25.4 mm)
	Distance hole to hole « A »	1-3/4" (44 mm)	2-1/4" (57 mm)	3-1/8" (79 mm)	2-5/8" (67 mm)
	Groove radius « R »	11/16" (18 mm)	1" (25 mm)	7/8" (22 mm)	5/8" (16 mm)
PACKING	Poids (lbs/100) / Weight (lbs/100)	90	132	280	419
	Units per package (un.)	50	32	20	9

**Matériel:** Porcelaine grise

**Material:** Grey porcelain

## ISOLATEUR D'ANCRAGE / GUY STRAIN INSULATOR



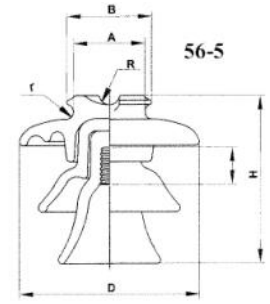
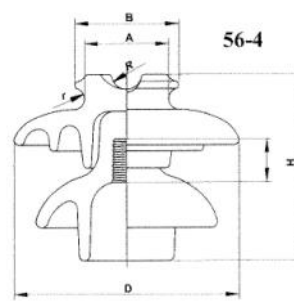
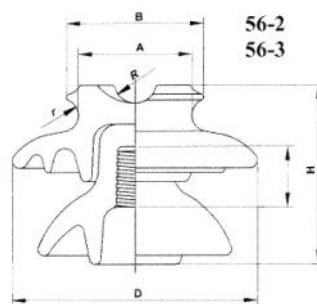
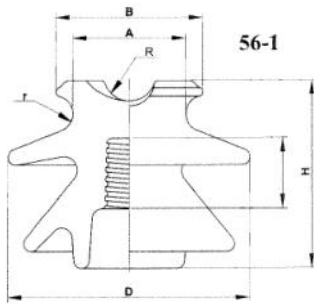
Numéro de catalogue. Catalog number.	Voltage (kv).	Hauteur totale (po). Total height (in).	Diametre de l'isolateur(po). Insulator diameter (in).	Poids (lbs/100) Weight (lbs/100)
<b>55-2</b>	7.2	3-1/4	3-3/4	143
55-3	13.2	3-3/4	4-3/4	198
55-4	15	4-1/2	5-1/2	309
<b>55-5</b>	15	4-7/8	7	474
55-6	25	5-1/2	8-3/8	974

IDENTIFICATION	C29.3 Class	55-2	55-3	55-4	55-5	55-6
ELECTRICAL	Rating (kV)	7.2	15	15	24.2	24.2
	Lightning impulse withstand dry ( kV) / <b>BIL</b>	60	70	95	120	135
	Low-frequency wet withstand (kV)	20	25	34	40	40
	Low-frequency dry withstand (kV)	40	50	60	75	95
	Critical impulse flash pos. (kV)	70	90	105	130	150
	Critical impulse flash neg. (kV)	85	110	130	150	170
	Low-frequency dry flashover (kV)	45	55	65	80	100
	Low-frequency wet flashover (kV)	25	30	35	45	50
	Low-frequency puncture (kV)	70	90	95	115	135
	Radio-influence test voltage (kV)	5	10	10	15	22
	Max radio-influence-radio-free (kV)	50	50	50	100	100
	Max radio-influence-normal (kV)	2500	5500	5500	8000	8000
MECHANICAL	Ultimate mech. and electrical (daN)	1000	1100	1360	1360	1360
DIMENSION	Leakage (creepage) distance (mm)	127	178	230	305	381
	Dry arcing distance (mm)	85	110	125	160	200
	Diameter (mm)	95	121	140	178	213
	Height (mm)	83	95	112	124	140
	Neck diameter (mm)	58	57	73	73	90
	Top head diameter (mm)	80	82	95	95	118
	Top groove radius (mm)	16	14	25	25	25
	Side groove radius (mm)	16	14	14	14	16
THREAD	Height (mm)	46	44	48	56	62
	Diameter to NBR 7110 (mm)	25	25	25	25	25
	Diameter to ANSI C29.5 (in)	1	1	1	1	1
	Recommended pin length (in)	5	5	5	6	7-1/2
PACKING	Gross weight per package (kg)	38.00	31.00	32.20	17.00	31.00
	Units per package (un.)	50	24	18	6	6

Isolateurs / Insulators

**Matériel:** Porcelaine grise **Material:** Grey porcelain

## ISOLATEUR RIGIDE À TIGE / PIN TYPE INSULATOR

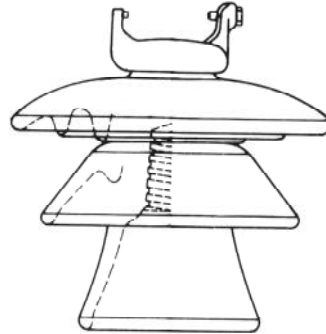


Isolateurs / Insulators

	Numéro de catalogue / Catalog number	56-1	56-2	56-3	56-4	56-5
IDENTIFICATION	ANSI C29.3 Class	56-1	56-2	56-3	56-4	56-5
	Classe kV / kV Class	23	23	34.5	46	69
ELECTRICAL	Rating	24.2 kV	24.2 kV	36.2 kV	36.2 kV	36.2/72.5
	Lightning impulse withstand dry / <b>BIL</b>	125 kV	125 kV	150 kV	170 kV	200 kV
	Low-frequency wet withstand	50 kV	50 kV	70 kV	70 kV	70 kV
	Low-frequency dry withstand	90 kV	90 kV	115 kV	130 kV	160 kV
	Critical impulse flashover pos.	150 kV	175 kV	200 kV	225 kV	270 kV
	Critical impulse flashover neg.	190 kV	225 kV	265 kV	310 kV	340 kV
	Low-frequency dry flashover	95 kV	110 kV	125 kV	140 kV	175 kV
	Low-frequency wet flashover	60 kV	70 kV	80 kV	95 kV	125 kV
	Low-frequency puncture	130 kV	145 kV	165 kV	185 kV	225 kV
	Radio-influence test voltage	15 kV	22 kV	30 kV	30 kV	44 kV
	Max. radio-influence-radio-free	100 mV	100 mV	200 mV	200 mV	200 mV
	Max. radio-influence-normal	8000 mV	12000 mV	16000 mV	16000 mV	25000 mV
MECHANICAL	Ultimate mech. and electrical	1100 daN	1360 daN	1360 daN	1360 daN	1360 daN
DIMENSION	Leakage (creepage) distance	13" (330 mm)	17" (430 mm)	20 7/8" (530 mm)	27" (686 mm)	34" (864 mm)
	Dry arcing distance	6 7/8" (175 mm)	8 1/4" (210 mm)	9 7/8" (240 mm)	11" (280 mm)	14" (355 mm)
	Diametre « D » / Diameter « D »	7 1/2" (190 mm)	9" (230 mm)	10 1/2" (268 mm)	12" (305 mm)	13 3/8" (340 mm)
	Hauteur « H » / Height « H »	5 3/4" (146 mm)	6 1/4" (160 mm)	7 1/2" (190 mm)	9 7/8" (240 mm)	12 5/8" (320 mm)
	Neck diameter « A »	3 1/2" (89 mm)	4" (102 mm)	4" (102 mm)	4 7/8" (113 mm)	5 3/8" (135 mm)
	Top head diameter « B »	4 7/8" (113 mm)	4 7/8" (125 mm)	4 7/8" (125 mm)	5 3/8" (137 mm)	6 1/4" (160 mm)
	Top groove radius « R »	3/4" (19 mm)	3/4" (19 mm)	3/4" (19 mm)	3/4" (19 mm)	3/4" (19 mm)
	Side groove radius « r »	9/16" (14 mm)	9/16" (14 mm)	9/16" (14 mm)	9/16" (14 mm)	9/16" (14 mm)
THREAD	Hauteur « H » / Height « H »	2 3/16" (55 mm)	2 3/16" (55 mm)	2 3/16" (55 mm)	2 5/16" (58 mm)	2 5/8" (68 mm)
	Diametre / Diameter ANSI C29.5	1 3/8" (35 mm)	1 3/8" (35 mm)	1 3/8" (35 mm)	1 3/8" (35 mm)	1 3/8" (35 mm)
	Recommended pin length (in)	6	7	8	10	12
PACKING	Poids (lbs/100) / Weight (lbs/100)	760	1091	1532	2249	3351
	Units per pachege (un.)	6	3	3	3	2

**Matériel:** Porcelaine grise **Material:** Grey porcelain

## ISOLATEUR RIGIDE À TIGE / PIN TYPE INSULATOR



**PIC**

Isolateurs / Insulators

<b>IDENTIFICATION</b>	<b>Numéro de catalogue / Catalog number</b>	<b>56PIC(23207)</b>
	Classe kV / kV Class	69
<b>ELECTRICAL</b>	Low-frequency wet withstand	95 kV
	Impulse Withstand Voltage / BIL	250 kV
	Critical impulse flashover pos.	270 kV
	Critical impulse flashover neg.	340 kV
	Low-frequency dry flashover	175 kV
	Low-frequency wet flashover	125 kV
	Low-frequency puncture	225 kV
	Radio Influence Voltage: Low frequency test voltage	44 kV
	Radio Influence Voltage: Maximum RIV	200 µV
<b>MECHANICAL</b>	Cantilever Strength	1.360 daN
<b>DIMENSION</b>	Leakage (creepage) distance	36" (914 mm)
	Dry arcing distance	18" (457 mm)
	Diametre / Diameter	14" (356 mm)
	Hauteur « H » / Height « H »	13 3/8" (340 mm)
<b>THREAD</b>	Diametre / Diameter ANSI C29.5	1 3/8"
	Recommended minimum pin length (in)	12
<b>PACKING</b>	Poids (lbs/100) / Weight (lbs/100)	5000

**Matériel:** Porcelaine grise

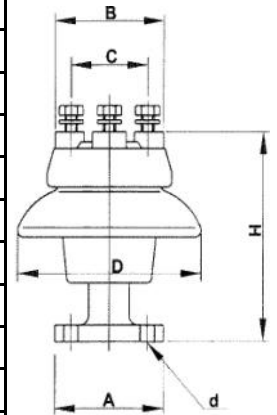
**Material:** Grey porcelain

## ISOLATEUR RIGIDE À TIGE / PIN TYPE INSULATOR

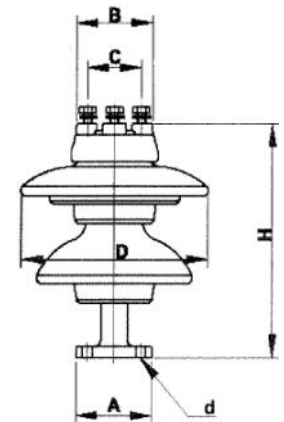


Isolateurs / Insulators

IDENTIFICATION	Numéro de catalogue / Catalog number	TR1	TR4	TR7
	ANSI C29.3 Class	TR-1	TR-4	TR-7
	IEC 60305 Class		E32	E33
Classe kV / kV Class	7.5	15	25	
ELECTRICAL	Lightning impulse withstand dry / <b>BIL</b>	95 kV	110 kV	150 kV
	Low-frequency wet withstand	34 kV	45 kV	60 kV
	Low-frequency dry withstand	36 kV	50 kV	70 kV
	Critical impulse flashover pos.	105 kV	125 kV	170 kV
	Critical impulse flashover neg.	120 kV	200 kV	250 kV
	Low-frequency dry flashover	60 kV	85 kV	110 kV
	Low-frequency wet flashover	40 kV	55 kV	75 kV
	Low-frequency puncture	80 kV	115 kV	145 kV
	Radio-influence test voltage	5 kV	10 kV	15 kV
	Max. radio-influence voltage	50 mV	50 mV	100 mV
	MECHANICAL	Top cantil. strength-base fasten	900 daN	900 daN
Base cantil. strength-top fasten		450 daN	450 daN	450 daN
Compression strength		4550 daN	4550 daN	4550 daN
Tensile strength		2270 daN	2270 daN	2270 daN
Torsional strength		70 daN.cm	80 daN.cm	90 daN.cm
DIMENSION	Leakage (creepage) distance	7 1/2" (190 mm)	12" (305 mm)	20" (510 mm)
	Dry arcing distance	5 1/8" (130 mm)	7" (180 mm)	9 7/16" (240 mm)
	Diametre « D » / Diameter « D »	7" (180 mm)	8" (205 mm)	10 7/16" (265 mm)
	Diametre du dessus « B » / Top diameter « B »	4 1/4" (108 mm)	4 1/4" (108 mm)	4 1/4" (108 mm)
	Cercle de boulonnage « C » / Bolt circle « C »	3" (76 mm)	3" (76 mm)	3" (76 mm)
	Diametre de la base « A » / Base diameter « A »	4 1/4" (108 mm)	4 1/4" (108 mm)	4 1/4" (108 mm)
	Hauteur « H » / Height « H »	7 1/2" (190 mm)	10" (254 mm)	12" (305 mm)
	Diametre des trous inférieur « d » / Base holes diameter « d »	9/16" (14 mm)	9/16" (14 mm)	9/16" (14 mm)
	Bolt dia. x Length - UNC Thread	1/2 x 1"	1/2 x 1"	1/2 x 1"
PACKING	Poids (lbs/100) / Weight (lbs/100)	1212	1764	2557
	Units per package (un.)	3	3	2



TR-1



TR-4 , TR-7

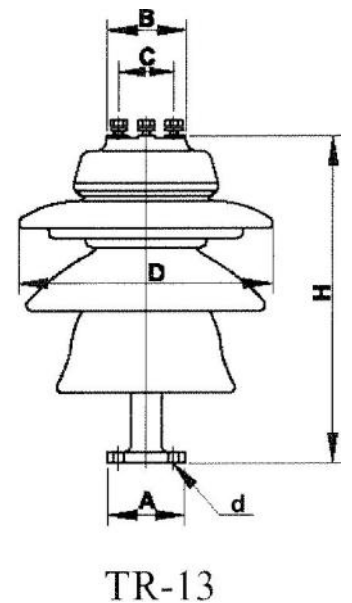
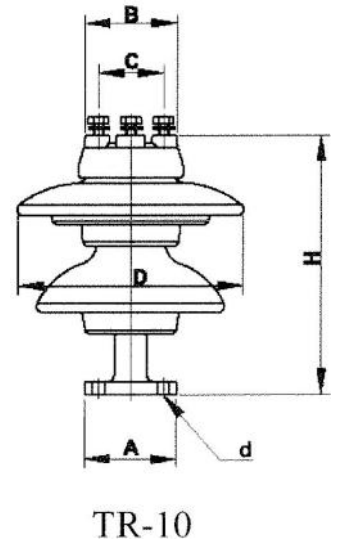
**Matériel:** Porcelaine grise

**Material:** Grey porcelain

## ISOLATEUR CAPOT-EMBASE / CAP & PIN INSULATOR



IDENTIFICATION	Numéro de catalogue / Catalog number	TR10	TR13	
	ANSI C29.3 Class	TR-10	TR-13	
	IEC 60305 Class	E35	E36	
	Classe kV / kV Class	34.5	46	
ELECTRICAL	Lightning impulse withstand dry / <b>BIL</b>	200 kV	250 kV	
	Low-frequency wet withstand	80 kV	100 kV	
	Low-frequency dry withstand	95 kV	120 kV	
	Critical impulse flashover pos.	225 kV	280 kV	
	Critical impulse flashover neg.	290 kV	340 kV	
	Low-frequency dry flashover	145 kV	170 kV	
	Low-frequency wet flashover	100 kV	125 kV	
	Low-frequency puncture	195 kV	225 kV	
	Radio-influence test voltage	22 kV	30 kV	
	Max. radio-influence voltage	100 mV	200 mV	
	MECHANICAL	Top cantil. strength-base fasten	900 daN	900 daN
		Base cantil. strength-top fasten	450 daN	450 daN
Compression strength		6820 daN	6820 daN	
Tensile strength		3180 daN	3640 daN	
Torsional strength		110 daN.cm	140 daN.cm	
DIMENSION	Leakage (creepage) distance	28" (710 mm)	36" (915 mm)	
	Dry arcing distance	13 3/8" (340 mm)	17" (430 mm)	
	Diametre « D » / Diameter « D »	13" (330 mm)	14" (355 mm)	
	Diametre du dessus « B » / Top diameter « B »	4 1/4" (108 mm)	4 1/4" (108 mm)	
	Cercle de boulonnage « C » / Bolt circle « C »	3" (76 mm)	3" (76 mm)	
	Diametre de la base « A » / Base diameter « A »	4 1/4" (108 mm)	4 1/4" (108 mm)	
	Hauteur « H » / Height « H »	15" (381 mm)	18" (457 mm)	
	Diametre des trous inférieur « d » / Base holes diameter « d »	9/16" (14 mm)	9/16" (14 mm)	
	Bolt dia. x Length - UNC Thread	1/2 x 1"	1/2 x 1 3/8"	
PACKING	Poids (lbs/100) / Weight (lbs/100)	4189	5952	
	Units per package (un.)	1	1	



Isolateurs / Insulators

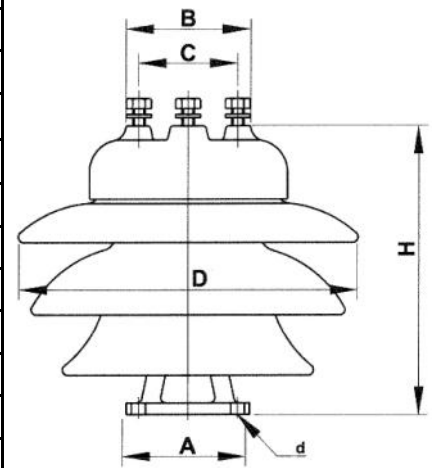
**Matériel:** Porcelaine grise  
**Material:** Grey porcelain

## ISOLATEUR CAPOT-EMBASE / CAP & PIN INSULATOR



Isolateurs / Insulators

IDENTIFICATION	Numéro de catalogue / Catalog number	TR53	TR140
	ANSI C29.3 Class	TR-53	TR-140
	IEC 60305 Class	E55	E56
	Classe kV / kV Class	46	<b>Empilable / Stackable</b>
ELECTRICAL	Lightning impulse withstand dry / BIL	250 kV	210 kV
	Low-frequency wet withstand	100 kV	75 kV
	Low-frequency dry withstand	120 kV	115 kV
	Critical impulse flashover pos.	280 kV	235 kV
	Critical impulse flashover neg.	340 kV	290 kV
	Low-frequency dry flashover	170 kV	160 kV
	Low-frequency wet flashover	125 kV	95 kV
	Low-frequency puncture	225 kV	215 kV
	Radio-influence test voltage	30 kV	22 kV
	Max. radio-influence voltage	200 mV	100 mV
	MECHANICAL	Top cantil. strength-base fasten	1800 daN
Base cantil. strength-top fasten		1150 daN	1800 daN
Compression strength		13650 daN	27270 daN
Tensile strength		6825 daN	9100 daN
Torsional strength		230 daN.cm	460 daN.cm
DIMENSION	Leakage (creepage) distance	36" (915 mm)	33" (840 mm)
	Dry arcing distance	17" (430 mm)	14 3/4" (375 mm)
	Diametre « D » / Diameter « D »	17 1/8" (435 mm)	17 1/8" (435 mm)
	Diametre du dessus « B » / Top diameter « B »	6 1/4" (158 mm)	6 1/4" (158 mm)
	Cercle de boulonnage « C » / Bolt circle « C »	5" (127 mm)	5" (127 mm)
	Diametre de la base « A » / Base diameter « A »	6 1/4" (158 mm)	6 1/4" (158 mm)
	Hauteur « H » / Height « H »	20" (508 mm)	14 1/2" (368 mm)
	Diametre des trous inférieur « d » / Base holes diameter « d »	11/16" (18 mm)	11/16" (18 mm)
	Bolt dia. x Length - UNC Thread	5/8 x 1 3/8"	5/8 x 1 3/8"
PACKING	Poids (lbs/100) / Weight (lbs/100)	11244	9039
	Units per pachage (un.)	1	1



**Note:** L'isolateur TR140 est conçu pour être empilable.  
TR140 insulator is design to be stackable

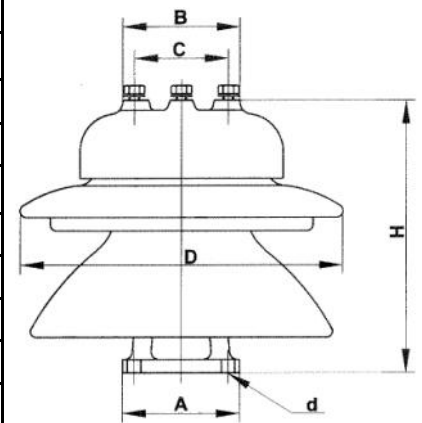
**Matériel:** Porcelaine grise

**Material:** Grey porcelain

## ISOLATEUR CAPOT-EMBASE / CAP & PIN INSULATOR



IDENTIFICATION	Numéro de catalogue / Catalog number	TR141	TR142
	ANSI C29.3 Class	TR-141	TR-142
	IEC 60305 Class	E57	E70
	Classe kV / kV Class	Empilable / Stackable	Empilable / Stackable
ELECTRICAL	Lightning impulse withstand dry / BIL	210 kV	210 kV
	Low-frequency wet withstand	75 kV	75 kV
	Low-frequency dry withstand	115 kV	115 kV
	Critical impulse flashover pos.	235 kV	235 kV
	Critical impulse flashover neg.	290 kV	290 kV
	Low-frequency dry flashover	160 kV	160 kV
	Low-frequency wet flashover	95 kV	95 kV
	Low-frequency puncture	215 kV	215 kV
	Radio-influence test voltage	22 kV	22 kV
	Max. radio-influence voltage	100 mV	100 mV
MECHANICAL	Top cantil. strength-base fasten	4500 daN	4500 daN
	Base cantil. strength-top fasten	2700 daN	2700 daN
	Compression strength	34000 daN	34000 daN
	Tensile strength	11360 daN	11360 daN
	Torsional strength	1040 daN.cm	1040 daN.cm
DIMENSION	Leakage (creepage) distance	33" (840 mm)	33" (840 mm)
	Dry arcing distance	14 3/4" (375 mm)	14 3/4" (375 mm)
	Diametre « D » / Diameter « D »	18 1/8" (460 mm)	18 1/8" (460 mm)
	Diametre du dessus « B » / Top diameter « B »	6 1/4" (158 mm)	8 1/2" (216 mm)
	Cercle de boulonnage « C » / Bolt circle « C »	5" (127 mm)	7" (178 mm)
	Diametre de la base « A » / Base diameter « A »	6 1/4" (158 mm)	8 1/2" (216 mm)
	Hauteur « H » / Height « H »	14 1/2" (368 mm)	14 1/2" (368 mm)
	Diametre des trous inférieur « d » / Base holes diameter « d »	11/16" (18 mm)	7/8" (22 mm)
	Bolt dia. x Length - UNC Thread	5/8 x 1 3/8"	5/8 x 1 3/8"
PACKING	Poids (lbs/100) / Weight (lbs/100)	10802	10802
	Units per package (un.)	1	1



Isolateurs / Insulators

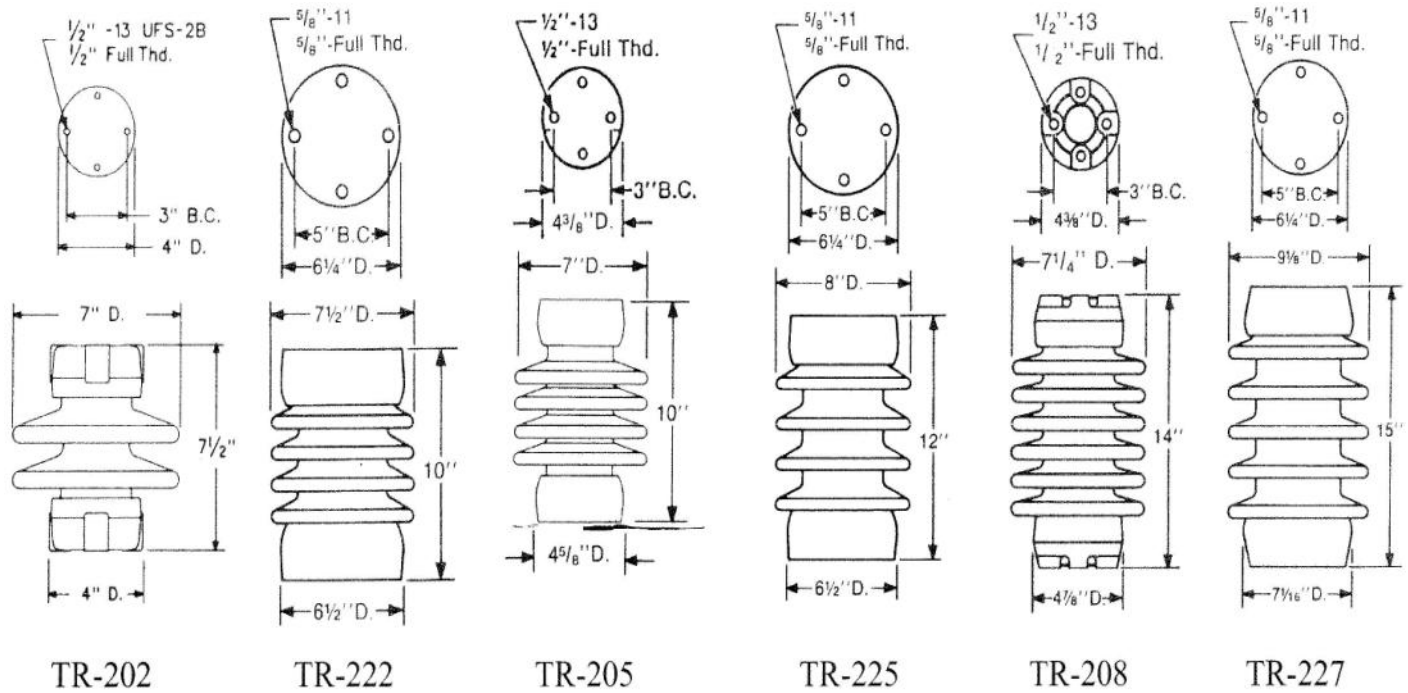
**Matériel:** Porcelaine grise

**Material:** Grey porcelain

## ISOLATEUR CAPOT-EMBASE / CAP & PIN INSULATOR



Isolateurs / Insulators

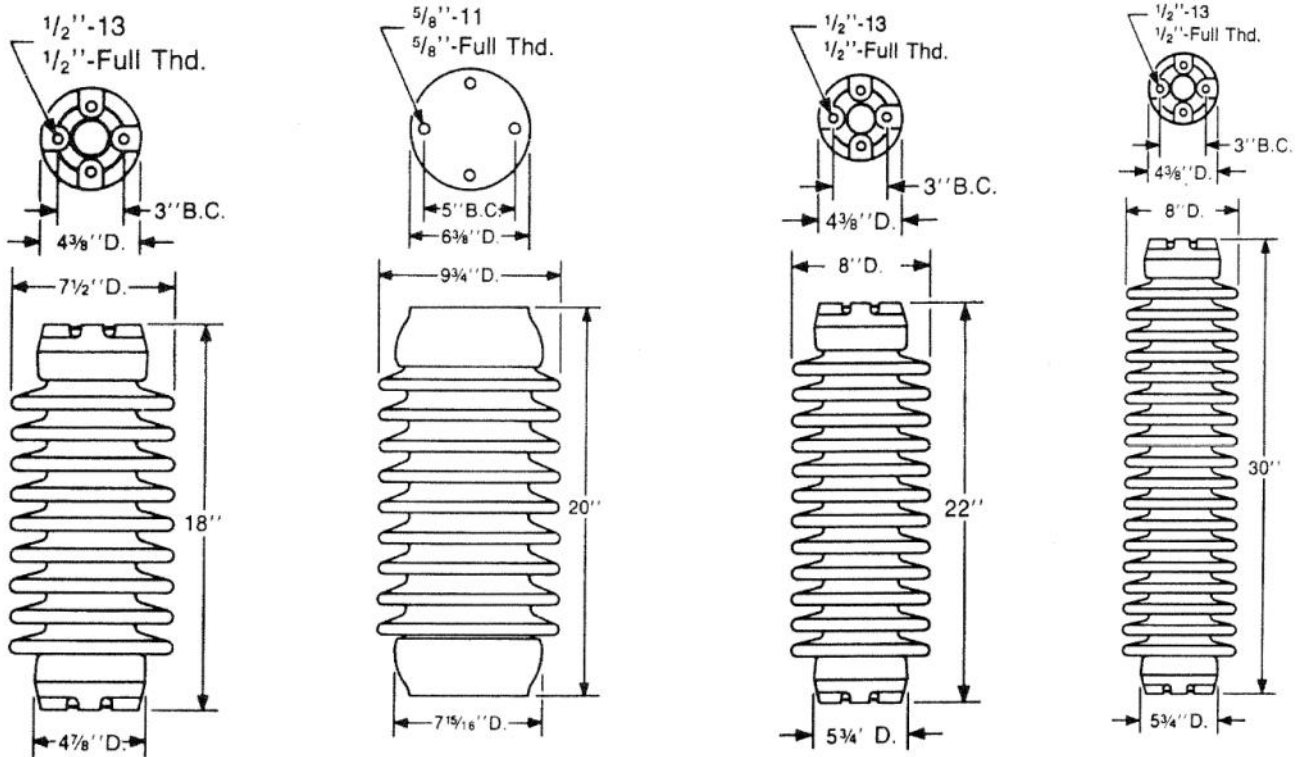


Numéro de catalogue / Catalog number	TR-202	TR-222	TR-205	TR-225	TR-208	TR-227
Strength Class	Standard	High	Standard	High	Standard	High
Leakage Distance, in. (mm)	10.5 (267)	10.5 (267)	15.5 (394)	15.5 (394)	24 (610)	24 (610)
Hauteur, po. (mm) / Height, in. (mm)	7.5 (191)	10 (254)	10 (254)	12 (305)	14 (356)	15 (381)
Classe kV / kV Class	7.5	7.5	15	15	25	25
Impulse Critical, kV-Positive	105	105	125	125	170	170
Impulse Withstand, kV <b>BIL</b>	95	95	110	110	150	150
60-Hz Withstand, kV-10 Seconds Wet	30	30	45	45	60	60
RIV, Test Voltage, kV rms	5	5	10	10	15	15
Maximum RIV @ 1000kHz, microvolts	50	50	50	50	100	100
Cantilever, lb. (kN)	2,000 (8.9)	4,000 (17.8)	2,000 (8.9)	4,000 (17.8)	2,000 (8.9)	4,000 (17.8)
Tension, lb. (kN)	7,000 (31.1)	15,000 (66.7)	8,500 (37.8)	20,000 (89)	10,000 (44.5)	20,000 (89)
Torsion, in.-lb (kN*m)	6,000 (0.7)	12,000 (1.4)	7,000 (0.8)	14,000 (1.6)	8,000 (0.9)	16,000 (1.8)
Compression, lb. (kN)	10,000 (44.5)	20,000 (89)	10,000 (44.5)	20,000 (89)	10,000 (44.5)	20,000 (89)
Cercle de boulonnage / Bolt circle	3" (76mm)	5" (127mm)	3" (76mm)	5" (127mm)	3" (76mm)	5" (127mm)
Poids (lbs/100) / Weight (lbs/100)	1875	3000	2331	3400	3215	4800
Units per package (un.)	3	3	3	3	3	2

**Matériel:** Porcelaine grise

**Material:** Grey porcelain

## ISOLATEUR À FUT MASSIF / STATION POST INSULATOR



TR-210

TR-231

TR-214

TR-216

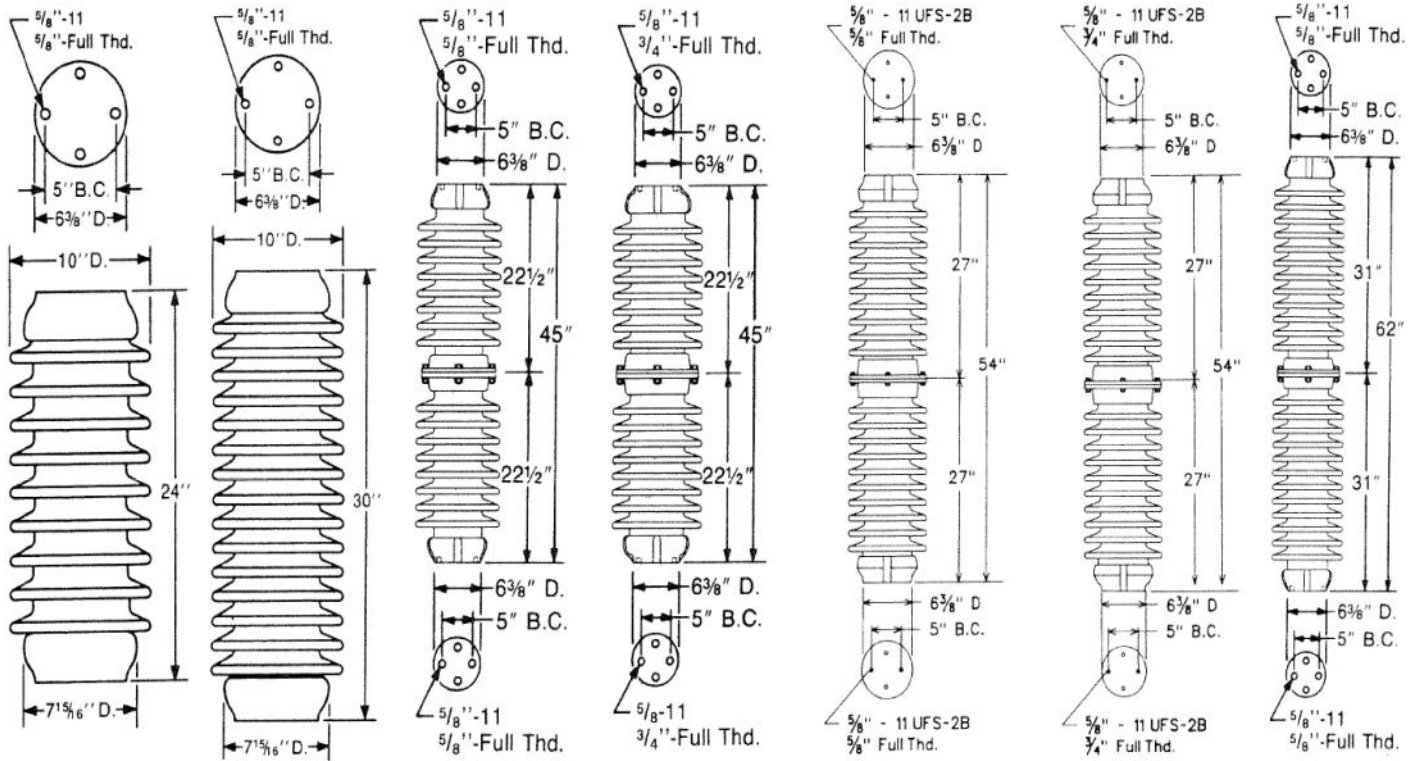
Numéro de catalogue / Catalog number	TR-210	TR-231	TR-214	TR-216
Strength Class	Standard	High	Standard	Standard
Leakage distance, in. (mm)	37 (940)	37 (940)	43 (1092)	72 (1829)
Hauteur, po. (mm) / Height, in. (mm)	18 (457)	20 (381)	22 (559)	30 (762)
Classe kV / kV Class	34.5	34.5	46	69
Impulse critical, kV-positive	225	225	280	390
Impulse withstand, kV <b>BIL</b>	200	200	250	350
60-Hz withstand, kV-10 Seconds wet	80	80	100	145
RIV, Test voltage, kV rms	22	22	30	44
Maximum RIV @ 1000kHz, microvolts	100	100	200	200
Cantilever, lb. (kN)	2,000 (8.9)	4,000 (17.8)	2,000 (8.9)	1,500 (6.7)
Tension, lb. (kN)	12,000 (53.4)	25,000 (111)	14,000 (62.3)	16,000 (71.2)
Torsion, in.-lb (kN*m)	10,000 (1.1)	20,000 (2.3)	12,000 (1.4)	15,000 (1.7)
Compression, lb. (kN)	15,000 (66.7)	30,000 (133)	15,000 (66.7)	25,000 (111)
Cercle de boulonnage / Bolt circle	3'' (76mm)	5'' (127mm)	3'' (76mm)	3'' (76mm)
Poids (lbs/100) / Weight (lbs/100)	4019	8400	4700	6400
Units per package (un.)	3	1	2	1

**Matériel:** Porcelaine grise **Material:** Grey porcelain

## ISOLATEUR À FUT MASSIF / STATION POST INSULATOR



Isolateurs / Insulators



TR-267

TR-278

TR-286

TR-287

TR-288

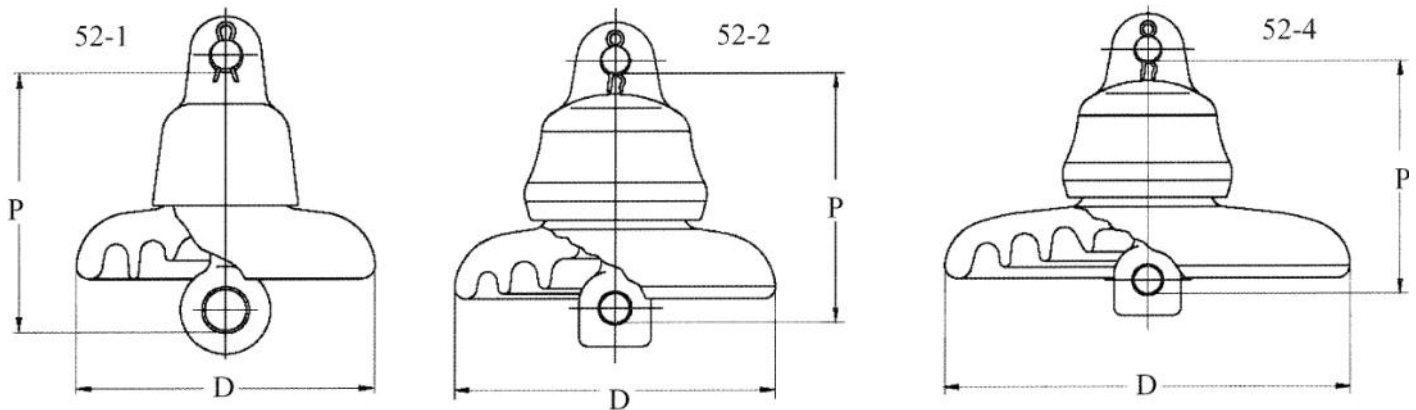
TR-289

TR-291

Numéro de catalogue / Catalog number	TR-267	TR-278	TR-286	TR-287	TR-288	TR-289	TR-291
Strength class	High	High	Standard	High	Standard	High	Standard
Leakage distance, in. (mm)	43 (1092)	72 (1829)	99 (2515)	99 (2515)	116 (2946)	116 (2946)	132 (3353)
Hauteur, po. (mm) / Height, in. (mm)	24 (610)	30 (762)	45 (1143)	45 (1143)	54 (1372)	54 (1372)	62 (1575)
Classe kV / kV Class	46	69	115	115	138	138	161
Impulse critical, kV-positive	280	390	610	610	710	710	810
Impulse withstand, kV <b>BIL</b>	250	350	550	550	650	650	750
60-Hz withstand, kV-10 seconds wet	100	145	230	230	275	275	315
RIV, Test voltage, kV rms	30	44	73	73	88	88	103
Maximum RIV @ 1000kHz, microvolts	200	200	200	200	200	200	500
Cantilever, lb. (kN)	4,000 (17.8)	3,000 (13.3)	1,700 (7.6)	2,600 (11.6)	1,450 (6.4)	2,200 (9.8)	1,200 (5.3)
Tension, lb. (kN)	25,000 (111)	25,000 (111)	20,000 (89)	25,000 (111)	20,000 (89)	25,000 (111)	20,000 (89)
Torsion, in.-lb (kN*m)	20,000 (2.3)	40,000 (4.5)	60,000 (6.8)	90,000 (10.2)	60,000 (6.8)	90,000 (10.2)	60,000 (6.8)
Compression, lb. (kN)	60,000 (267)	60,000 (267)	60,000 (267)	90,000 (400)	60,000 (267)	90,000 (400)	60,000 (267)
Cercle de boulonnage / Bolt circle	5" (127mm)	5" (127mm)	5" (127mm)	5" (127mm)	5" (127mm)	5" (127mm)	5" (127mm)
Poids (lbs/100) / Weight (lbs/100)	10,4000	14,300	16,900	22,600	20,600	25,600	22,600
Units per package (un.)	1	1	1	1	1	1	1

**Matériel:** Porcelaine grise **Material:** Grey porcelain

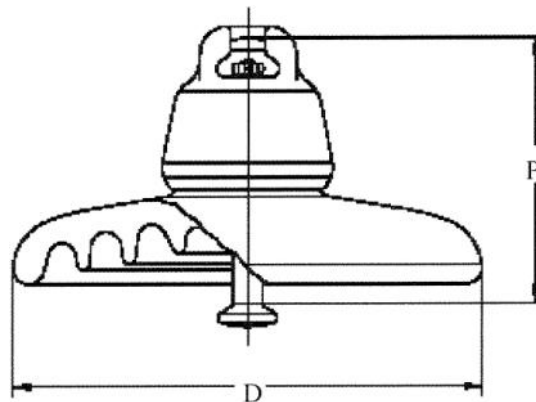
## ISOLATEUR À FUT MASSIF / STATION POST INSULATOR



IDENTIFICATION	Numéro de catalogue / Catalog number	<b>52-1</b>	52.2	<b>52-4</b>
	NBR 6249 Class	D45-1		
	ANSI C29.3 Class	52-1	52.2	52-4
	IEC 60305 Class			U70C
ELECTRICAL	Lightning impulse withstand dry / BIL	70 kV	90 kV	100 kV
	Low-frequency wet withstand	25 kV	30 kV	45 kV
	Low-frequency dry withstand	55 kV	60 kV	70 kV
	Critical impulse flashover pos.	100 kV	115 kV	125 kV
	Critical impulse flashover neg.	100 kV	115 kV	130 kV
	Low-frequency dry flashover	60 kV	65 kV	80 kV
	Low-frequency wet flashover	30 kV	35 kV	50 kV
	Low-frequency puncture	80 kV	90 kV	130 kV
	Radio-influence test voltage	7.5 kV	7.5 kV	10 kV
	Max. radio-influence voltage	50 mV	50 mV	50 mV
MECHANICAL	Ultimate mech. and electrical	10,000lbs (45 kN)	15,000lbs (70 kN)	15,000lbs (70 kN)
	Routine mechanical strength	22.5 kN	35 kN	35 kN
	Mechanical-impact strength	5.0 N.m	5.5 N.m	6.3 N.m
COUPLING	NRB 7108	GR	GQ	GQ
	IEC 60471 Standard		16C	16C
DIMENSION	Leakage (creepage) distance	7 1/16" (180 mm)	8 1/4" (210 mm)	11 1/2" (292 mm)
	Dry arcing distance	4 15/16" (125 mm)	6 1/8" (155 mm)	8 1/4" (210 mm)
	Diamètre « D » / Diameter « D »	6" (160 mm)	7 1/2" (190 mm)	10" (254 mm)
	Espacement « P » / Spacing « P »	5 1/2" (140 mm)	5 3/4" (146 mm)	5 3/4" (146 mm)
PACKING	Poids (lbs/100) / Weight (lbs/100)	643	991	1366
	Units per package (un.)	6	6	6

**Matériel:** Porcelaine grise **Material:** Grey porcelain

## ISOLATEUR D'ALIGNEMENT / SUSPENSION INSULATOR

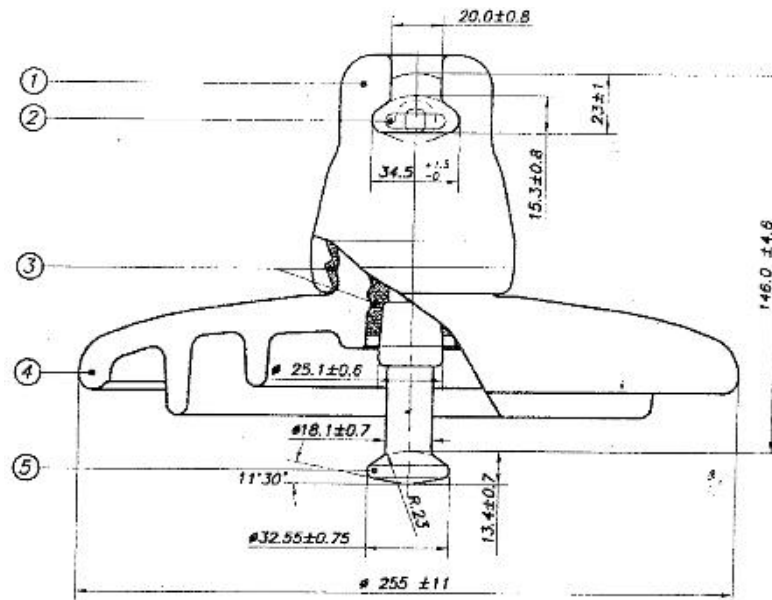


Isolateurs / Insulators

IDENTIFICATION	Numéro de catalogue / Catalog number	<b>52-3</b>	<b>52.5</b>
	ANSI C29.3 Class	52-3	52.5
	IEC 60305 Class	U70BL	
ELECTRICAL	Lightning impulse withstand dry / <b>BIL</b>	100 kV	100 kV
	Low-frequency wet withstand	45 kV	45 kV
	Low-frequency dry withstand	70 kV	70 kV
	Critical impulse flashover pos.	125 kV	125 kV
	Critical impulse flashover neg.	130 kV	130 kV
	Low-frequency dry flashover	80 kV	80 kV
	Low-frequency wet flashover	50 kV	50 kV
	Low-frequency puncture	130 kV	130 kV
	Radio-influence test voltage	10 kV	10 kV
	Max. radio-influence voltage	50 mV	50 mV
MECHANICAL	Ultimate mech. and electrical	15,000lbs (70 kN)	25,000lbs (120 kN)
	Routine mechanical strength	35 kN	60 kN
	Mechanical-impact strength	6.3 N.m	6.3 N.m
COUPLING	NRB 7108	CB-16	
	ANSI C29.2 Standard	B	J
	IEC 60471 Standard	16A	
DIMENSION	Leakage (creepage) distance	11 1/2" (292 mm)	11 1/2" (292 mm)
	Dry arcing distance	8 1/4" (210 mm)	8 1/4" (210 mm)
	Diametre « D » / Diameter « D »	10" (254 mm)	10" (254 mm)
	Espacement « P » / Spacing « P »	5 3/4" (146 mm)	5 3/4" (146 mm)
PACKING	Poids (lbs/100) / Weight (lbs/100)	1206	1634
	Units per package (un.)	6	6

**Matériel:** Porcelaine grise **Material:** Grey porcelain

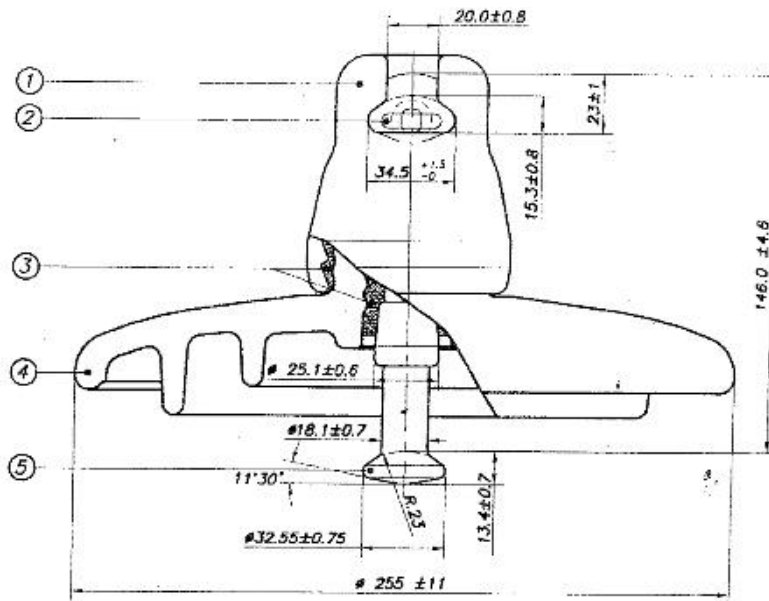
## ISOLATEUR D'ALIGNEMENT / SUSPENSION INSULATOR



REFERENCES	Numéro de catalogue / Catalog number	<b>52-3(E80Z / 146)</b>	
	IEC 60305	U80BL	
	ANSI C29.2	52-3	
Leakage Distance		mm	320
Mechanical Failing Load		kN	80
Mechanical Impact Strength		N.m	17
Low Frequency Withstand Voltage	Wet	kV	45
Impulse Withstand Voltage		kV	100
Low Frequency Flashover Voltage	Dry	kV	80
	Wet	kV	50
Low Frequency Puncture Voltage		kV	130
Radio Influence Voltage	Low Frequency test Voltage	kV	10
	Max RIV	µV	50

ITEM	QTY	DESCRIPTION	MATERIAL
1	1	Cap	Spheroidal cast Iron
2	1	Split Cotter Pin	Stainless Steel
3	1	Cement	Aluminous Cement
4	1	Glass Shell	Toughened Glass TM Saint Gobain
5	1	Pin	Forged Steel

## ISOLATEUR D'ALIGNEMENT EN VERRE SUSPENSION GLASS INSULATOR

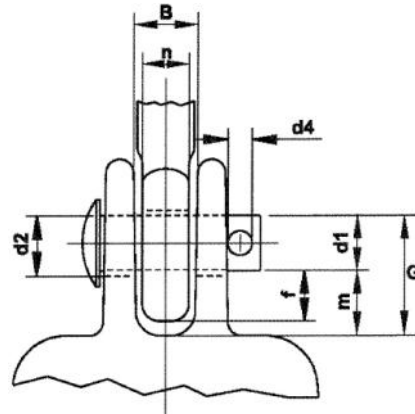


Isolateurs / Insulators

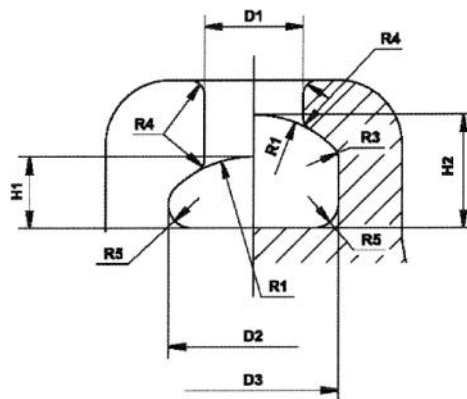
REFERENCES	Numéro de catalogue / Catalog number	<b>52-5(NJ120Z / 146)</b>	
	ANSI C29.2	52-5	
Leakage Distance		mm	320
Mechanical Failing Load		kN	120
Mechanical Impact Strength		N.m	17
Low Frequency Withstand Voltage	Wet	kV	45
Impulse Withstand Voltage		kV	100
Low Frequency Flashover Voltage	Dry	kV	80
	Wet	kV	50
Low Frequency Puncture Voltage		kV	130
Radio Influence Voltage	Low Frequency test Voltage	kV	10
	Max RIV	µV	50

ITEM	QTY	DESCRIPTION	MATERIAL
1	1	Cap	Spheroidal cast Iron
2	1	Split Cotter Pin	Stainless Steel
3	1	Cement	Aluminous Cement
4	1	Glass Shell	Toughened Glass TM Saint Gobain
5	1	Pin	Forged Steel

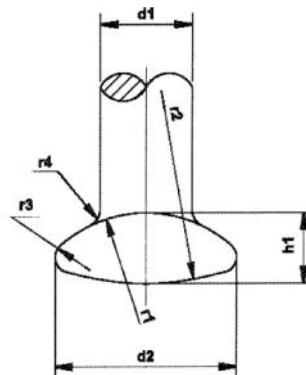
## ISOLATEUR D'ALIGNEMENT EN VERRE SUSPENSION GLASS INSULATOR



STANDARD	CLASS	d1	d2	d3	n	B	m
ANSI C29-2	E	15.9+/-0.4	17.5+/-0.8	22.2+/-1.6	12.7+1.6/-0	17.5 MIN	17.5 MIN



STANDARD	CLASS	d1	d2	d3	H1	H2	R1	R2	R3	R4
ANSI C29-2	B	20+/-0.8	34.5+/-1.2	34.5+/-1.2	13.4+/-0.7	21.6 MIN	23.4	3.2	3.2	5



STANDARD	CLASS	d1	d2	H1	R1	R2	R3	R4
ANSI C29-2	B	17.3+/-1.6	32.5+/-0.9	13.4+/-1.2	23	50	3	3+/-1

**QUINCAILLERIE ISOLATEUR D' ALIGNEMENT / SUSPENSION INSULATOR HARDWARE**

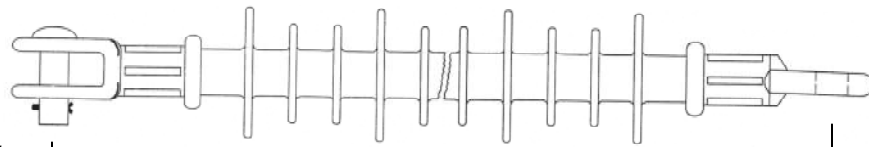


Fig. 1

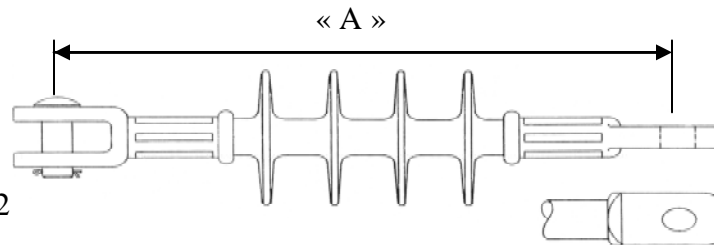
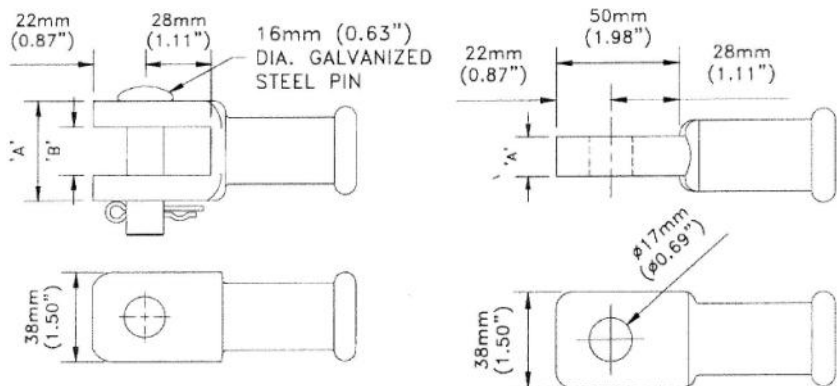


Fig. 2

Isolateurs / Insulators

Numéro de catalogue. / Catalog number.		KL15ASCTM	KL28ASCTM	KL28SCT	KL46SCT
Fig.		1	1	2	2
Classe CEA & ANSI Class		DS15	DS28		DS46
Voltage kV		15kV	28kV	28kV	46kV
Dimension « A » dimension		12 19/32"	17"	17 1/4"	22 13/16"
Dry Arcing Distance		193mm (7.6")	290mm (11.4")	283mm (11.1")	419mm (16.5")
Leakage Distance		384mm (15.1")	590mm (23.2")	600mm (23.6")	988mm (38.9")
Low-Frequency Flashover	Dry	100kV	135kV	130kV	180kV
	Wet	70kV	105kV	110kV	150kV
Impulse critical flashover (pos)		145kV	225kV	215kV	300kV
Radio Influence Voltage (RIV) at 1 Mhz	Test	15kV	20kV		30kV
	Max	Moin que 1µ Bellow 1µ	Moin que 1µ Bellow 1µ	Moin que 1µ Bellow 1µ	Moin que 3µ Bellow 3µ
Specified Mechanical Load (SML)		70kN (15,700lbs)	70kN (15,700lbs)	90kN (20,000lbs)	90kN (20,000lbs)
Torsional Load		83 N•m (62ft•lbs)	83 N•m (62ft•lbs)		83 N•m (62ft•lbs)
Poids / Weight (lbs/100)		150	180	230	480

SML	Clevis		Tongue	
	70kN	90kN	70kN	90kN
A	35mm (1.38")	43mm (1.69")	13mm (0.53")	16mm (0.63")
B	19mm (0.75")	21mm (0.81")		



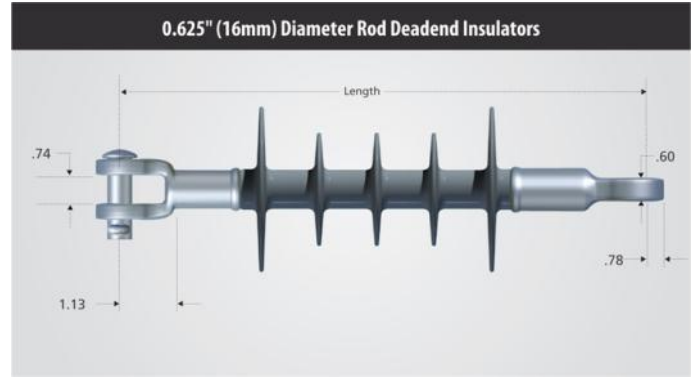
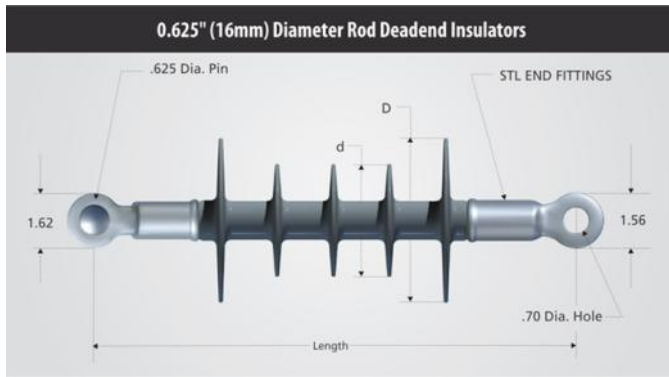
**Matériel:** Polymère grise

**Material:** Grey polymer

**Note:** Autres dimensions disponible

Other sizes available

## ISOLATEUR POLYMÈRE / POLYMER INSULATOR



Catalog Numbers	No. of Sheds	"X" Length inches (mm)	"D" Diameter Inches (mm)	Net Wt. pounds (kg)	Standard Package Qty.		Torsion ft-lb (N-m)	<sup>1</sup> SML pounds (kN)	<sup>2</sup> RTL pounds (kN)	<sup>3</sup> Proof pounds (kN)
					Carton	Pallet				
4010150215	4	12.50 (318)	3.6 (92)	2.1 (.95)	15	480	35 (47)	15,000 (70)	7,500 (35)	10,000 (44.5)
4010156215	4	12.50 (318)	3.6 (92)	2.1 (.95)	15	480	40 (55)	15,000 (70)	7,500 (35)	10,000 (44.5)
4010280215	8	17.50 (445)	3.0 (76)	2.4 (1.1)	15	360	35 (47)	15,000 (70)	7,500 (35)	10,000 (44.5)
4010286215	8	17.50 (445)	3.0 (76)	2.4 (1.1)	15	360	40 (55)	15,000 (70)	7,500 (35)	10,000 (44.5)
4010250215	8	18.75 (475)	3.5 (89)	2.8 (1.3)	15	360	35 (47)	15,000 (70)	7,500 (35)	10,000 (44.5)
4010256215	8	18.75 (475)	3.5 (89)	2.8 (1.3)	15	360	40 (55)	15,000 (70)	7,500 (35)	10,000 (44.5)
4010350215	8	25.00 (635)	3.0 (76)	3.3 (1.5)	15	300	35 (47)	15,000 (70)	7,500 (35)	10,000 (44.5)

Isolateurs / Insulators

Catalog Numbers	Type	Leakage Distance Inches (mm)	Dry Arc Distance inches (mm)	Flashover ANSI - kV		Critical Flashover ANSI		RIV		Power Arc kA cycles	SL of # of 4-1/4 Bells	Volt* / Class
				Dry-kV	Wet-kV	Pos-kV	Neg-kV	Test kV	Max. $\mu$ V			
4010150215	PDI-15	16 (406)	8 (203)	110	75	140	160	15	<10	150	2	15
4010156215	PDI-15	16 (406)	8 (203)	110	75	140	160	15	<10	150	2	DS-15
4010280215	PDI-28	26 (660)	12 1/4 (311)	130	110	200	225	20	<10	150	-	25
4010286215	PDI-28	26 (660)	12 1/4 (311)	130	110	200	225	20	<10	150	-	DS-28
4010250215	PDI-25	31 (787)	14 (356)	150	130	260	280	30	<10	150	3	25 & 35
4010256215	PDI-25	31 (787)	14 (356)	150	130	260	280	30	<10	150	3	DS-35
4010350215	PDI-35	33 (838)	20 (508)	200	160	325	360	30	<10	150	4	35

**Matériel:** Polymère grise

**Material:** Grey polymer

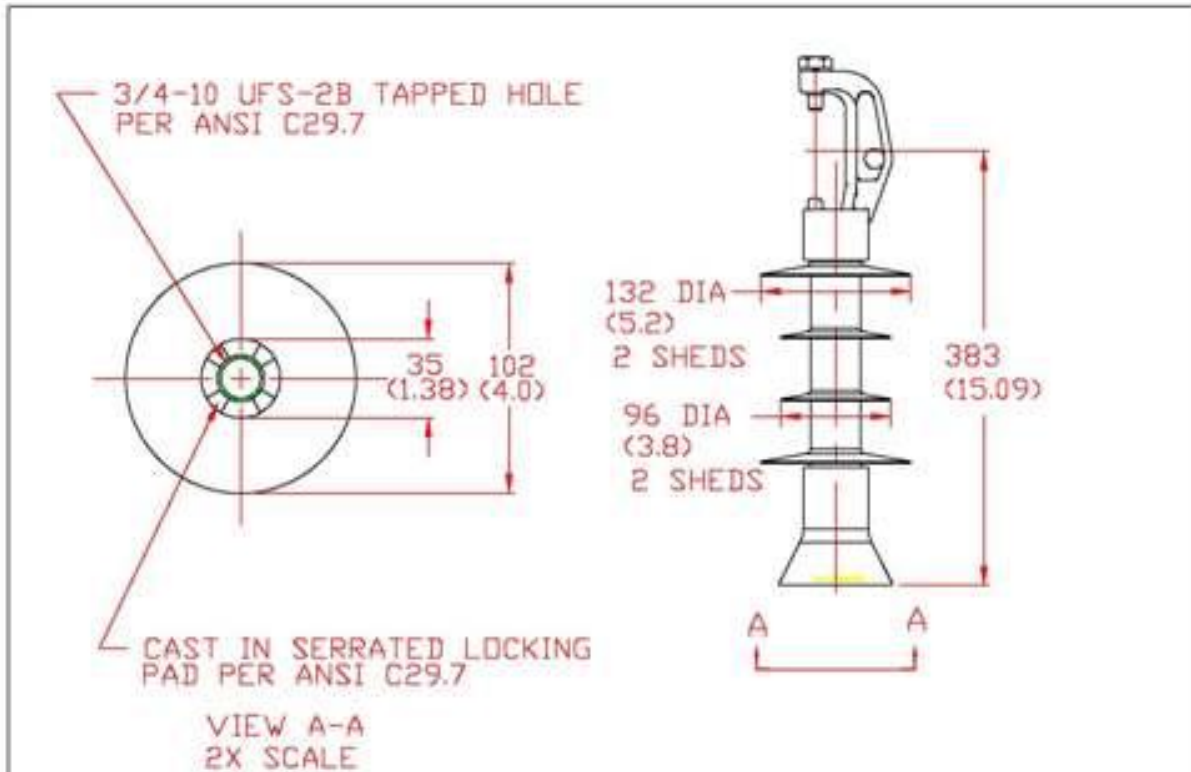
**Note:** Autres dimensions disponible  
Other sizes available



## ISOLATEUR POLYMÈRE / POLYMER INSULATOR



Isolateurs / Insulators

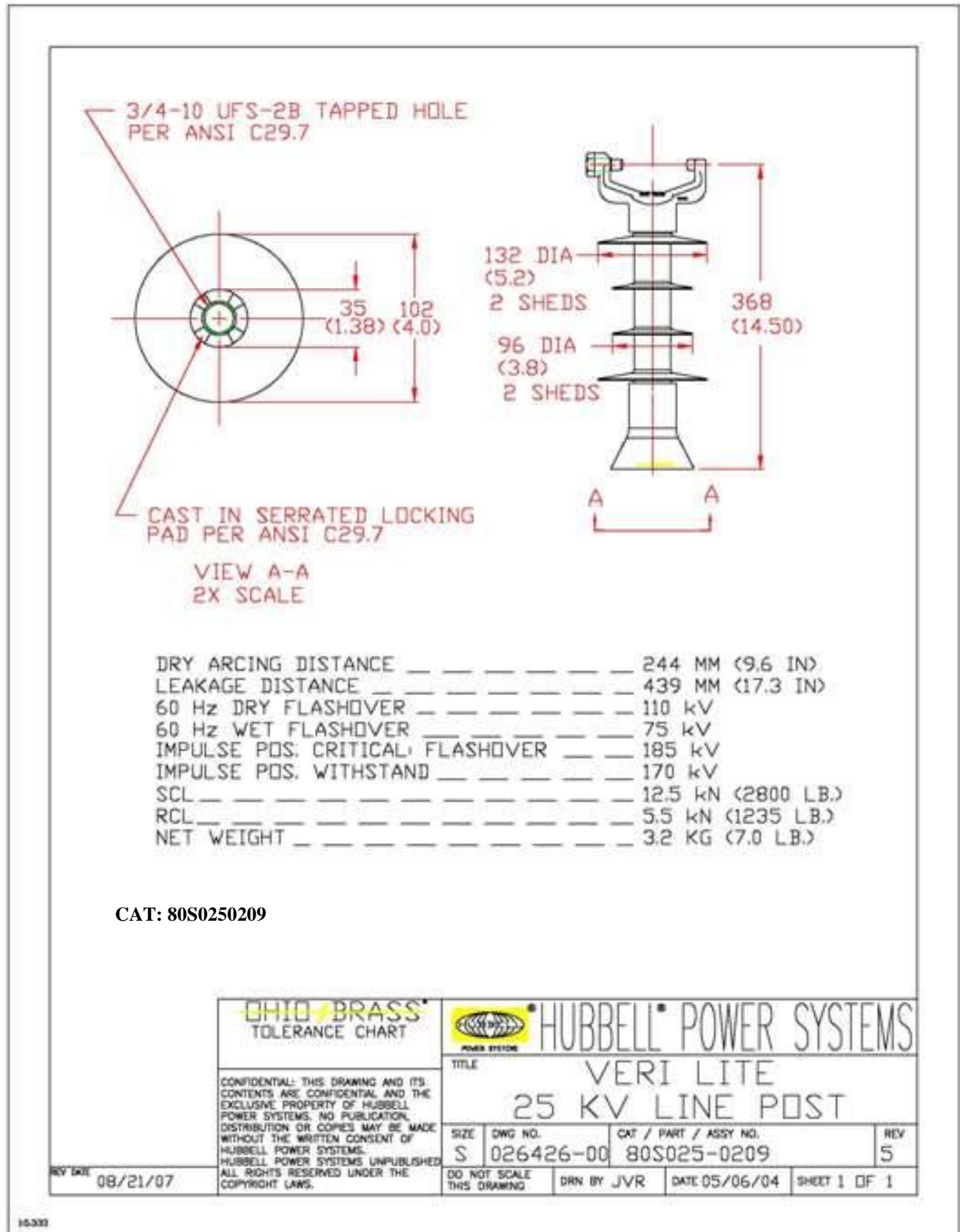


DRY ARCING DISTANCE	244 MM (9.6 IN)
LEAKAGE DISTANCE	439 MM (17.3 IN)
60 Hz DRY FLASHOVER	110 kV
60 Hz WET FLASHOVER	75 kV
IMPULSE POS. CRITICAL FLASHOVER	185 kV
IMPULSE POS. WITHSTAND	170 kV
SCL	12.5 kN (2800 LB.)
RCL	5.5 kN (1235 LB.)
NET WEIGHT	3.3 KG (7.3 LB.)

**CAT: 80S0250109**

<small>CONFIDENTIAL: THIS DRAWING AND ITS CONTENTS ARE CONFIDENTIAL AND THE EXCLUSIVE PROPERTY OF HUBBELL POWER SYSTEMS. NO PUBLICATION, DISTRIBUTION OR COPIES MAY BE MADE WITHOUT THE WRITTEN CONSENT OF HUBBELL POWER SYSTEMS. HUBBELL POWER SYSTEMS UNPUBLISHED. ALL RIGHTS RESERVED UNDER THE COPYRIGHT LAWS.</small>		TITLE <b>VERI LITE 25 KV LINE POST</b>	
		SIZE <b>S</b>	DWG NO. --
REV DATE <b>08/21/07</b>	DO NOT SCALE THIS DRAWING	DRN BY JVR	DATE 08/31/05 SHEET 1 OF 1

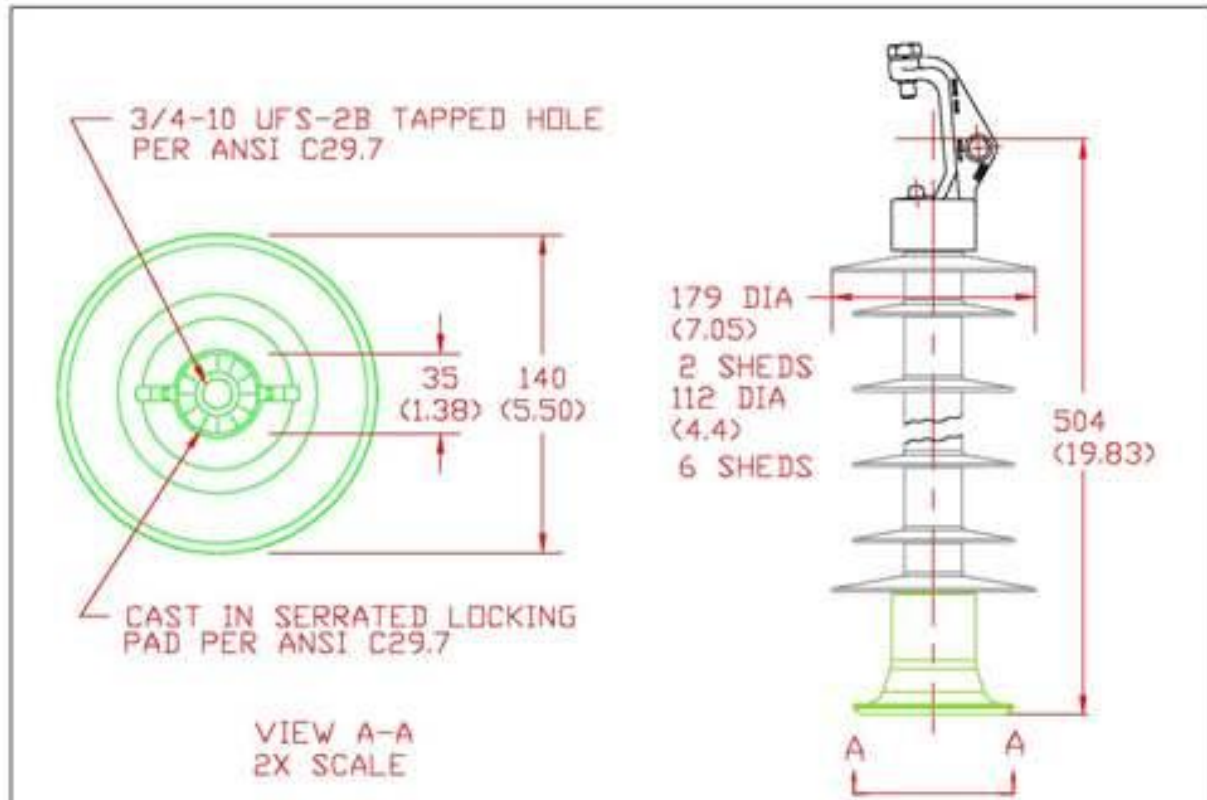
16333



Isolateurs / Insulators



Isolateurs / Insulators



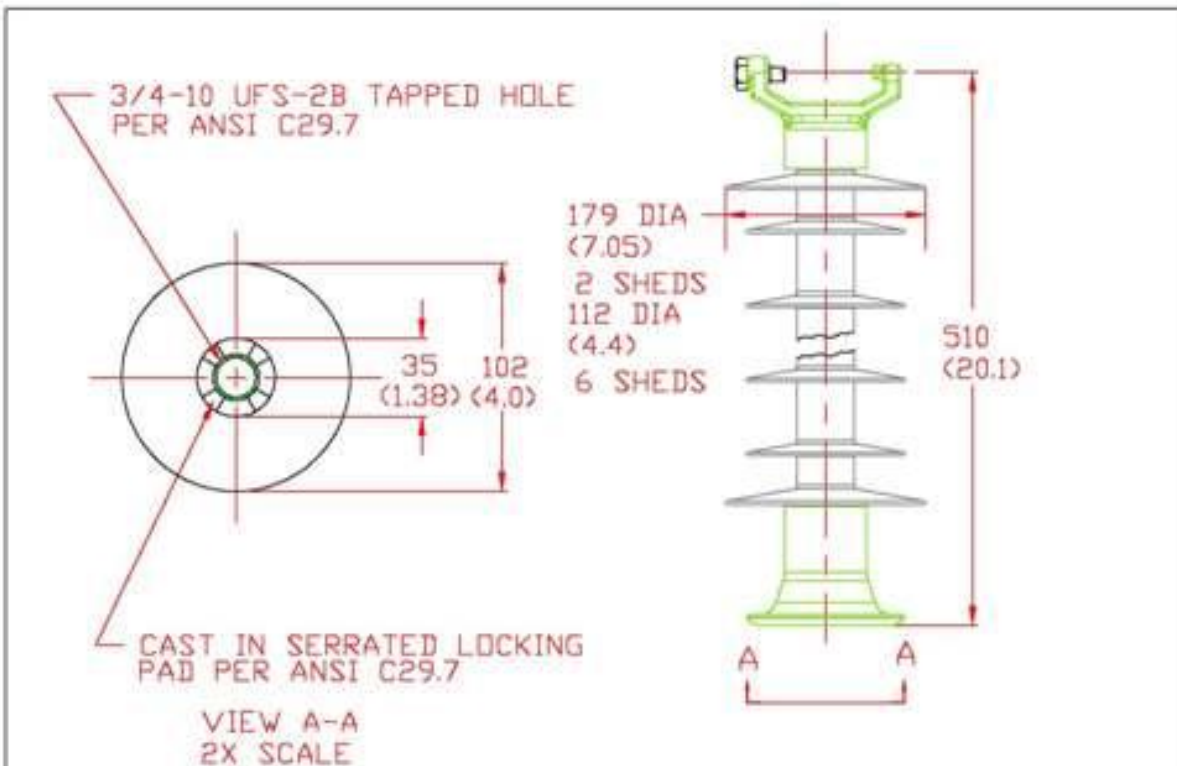
VIEW A-A  
2X SCALE

DRY ARCING DISTANCE	_____	390 MM (14.4 IN)
LEAKAGE DISTANCE	_____	872 MM (34.3 IN)
60 Hz DRY FLASHOVER	_____	170 kV
60 Hz WET FLASHOVER	_____	125 kV
IMPULSE PDS. CRITICAL FLASHOVER	_____	260 kV
IMPULSE PDS. WITHSTAND	_____	235 kV
SCL	_____	12.5 kN (2800 LB.)
RCL	_____	5.5 kN (1235 LB.)
NET WEIGHT	_____	6.1 KG (13.5 LB.)

CAT: 80S0460109

OHIO BRASS TOLERANCE CHART		HUBBELL POWER SYSTEMS		
CONFIDENTIAL: THIS DRAWING AND ITS CONTENTS ARE CONFIDENTIAL AND THE EXCLUSIVE PROPERTY OF HUBBELL POWER SYSTEMS. NO PUBLICATION, DISTRIBUTION OR COPIES MAY BE MADE WITHOUT THE WRITTEN CONSENT OF HUBBELL POWER SYSTEMS. HUBBELL POWER SYSTEMS UNPUBLISHED ALL RIGHTS RESERVED UNDER THE COPYRIGHT LAWS.		TITLE VERI LITE 46 KV LINE POST		
		SIZE S	DWG NO. ---	CAT / PART / ASSY NO. 80S046-0109
REV DATE 03/25/08	DO NOT SCALE THIS DRAWING	DRN BY JVR	DATE 09/01/05	SHEET 1 OF 1

15333



DRY ARCING DISTANCE	---	390 MM (14.4 IN)
LEAKAGE DISTANCE	---	872 MM (34.3 IN)
60 Hz DRY FLASHOVER	---	170 kV
60 Hz WET FLASHOVER	---	125 kV
IMPULSE POS. CRITICAL FLASHOVER	---	260 kV
IMPULSE POS. WITHSTAND	---	235 kV
SCL	---	12.5 kN (2800 LB.)
RCL	---	5.5 kN (1235 LB.)
NET WEIGHT	---	6.40 KG (14.1 LB.)

CAT: 80S0460209

PROTOTYPE  
APPROVED FOR TOOLING

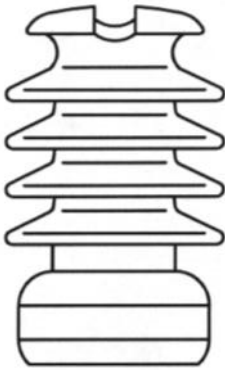
OHIO BRASS TOLERANCE CHART		HUBBELL POWER SYSTEMS		
CONFIDENTIAL: THIS DRAWING AND ITS CONTENTS ARE CONFIDENTIAL AND THE EXCLUSIVE PROPERTY OF HUBBELL POWER SYSTEMS. NO PUBLICATION, DISTRIBUTION OR COPIES MAY BE MADE WITHOUT THE WRITTEN CONSENT OF HUBBELL POWER SYSTEMS. HUBBELL POWER SYSTEMS UNPUBLISHED. ALL RIGHTS RESERVED UNDER THE COPYRIGHT LAWS.		TITLE VERI LITE 46 KV LINE POST		
		SIZE S	DWG NO. 026428-00	CAT / PART / ASSY NO. 80S046-0209
REV DATE 08/21/07	DO NOT SCALE THIS DRAWING	DRN BY JVR	DATE 05/06/04	SHEET 1 OF 1

16333

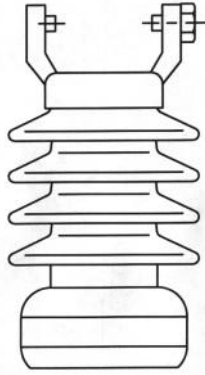
Isolateurs / Insulators



Isolateurs / Insulators



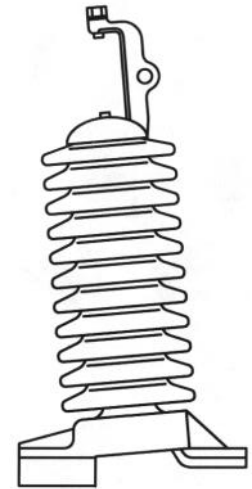
Porcelaine, "tie-top"  
Tie-top, porcelain



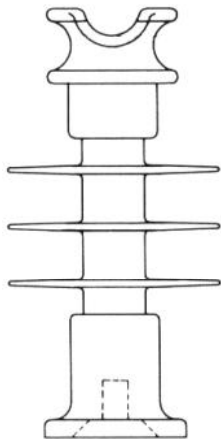
Porcelaine, pince horizontale  
Horizontal clamp, porcelain



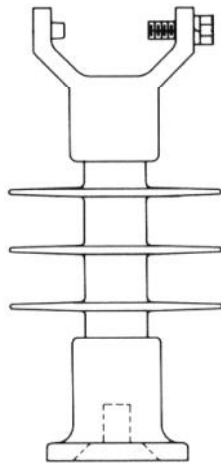
Porcelaine, pince verticale  
Vertical clamp, porcelain



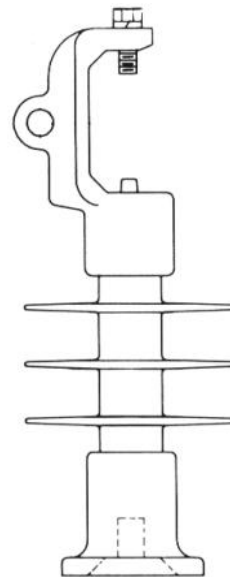
Porcelaine, pince verticale  
Vertical, porcelain



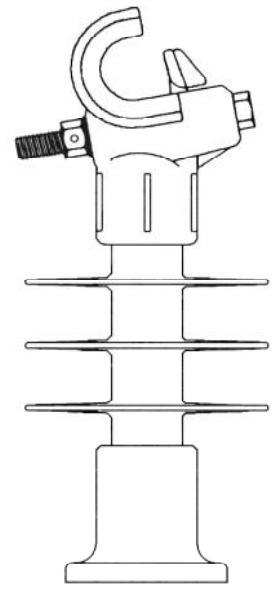
Polymere, "tie-top"  
Tie-top, polymer



Polymere, pince horizontale  
Horizontal, polymer

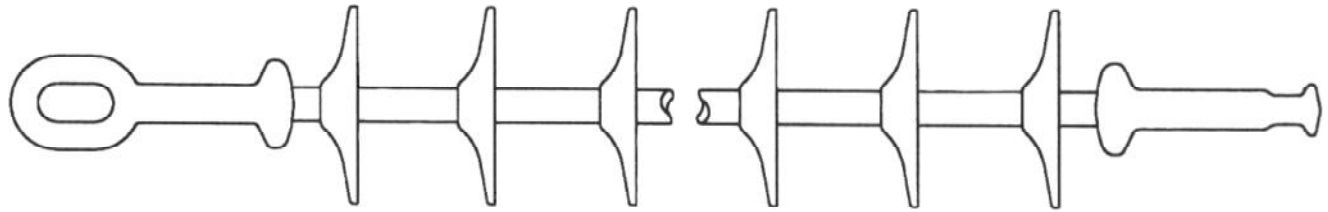


Polymere, pince verticale  
Vertical, polymer

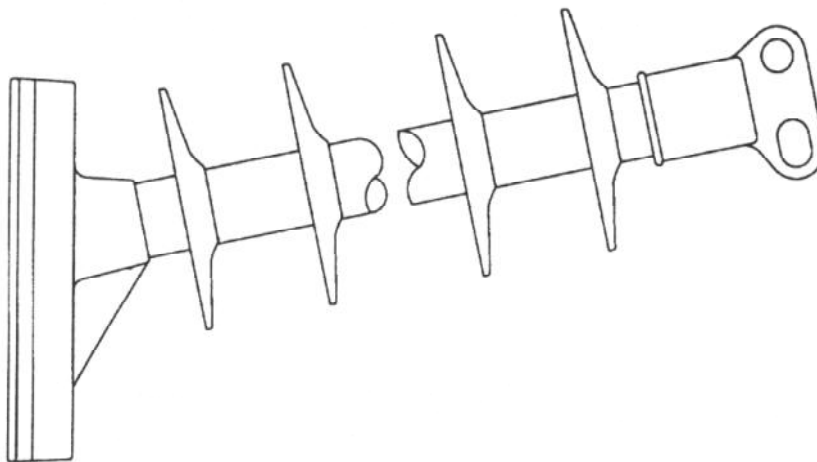


Polymere, universel  
Universal, polymer

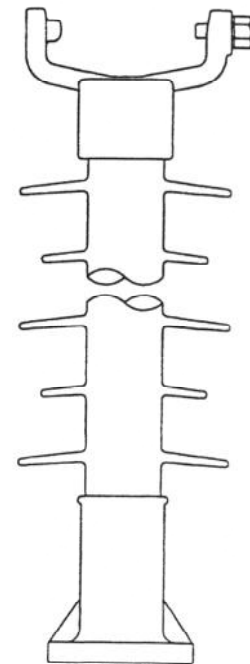
# ISOLATEUR DE LIGNE / LINE POST INSULATOR



Polymère, suspension. 69 - 500 kV.  
Polymer, suspension. 69 - 500 kV.

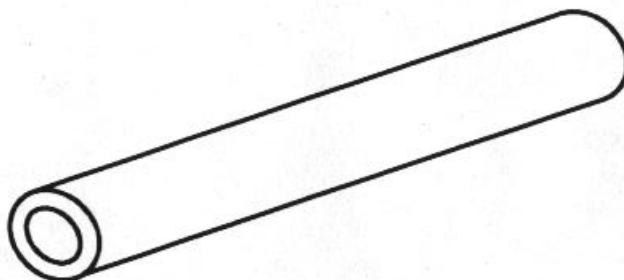


Polymère, de ligne, horizontal. 69 - 345 kV.  
Polymer, horizontal line post. 69 - 345 kV.

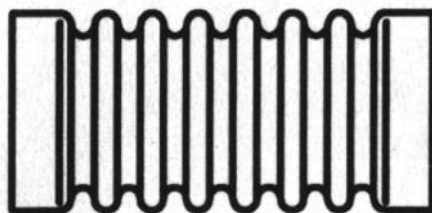


Polymère,  
de ligne, vertical.  
69 - 138 kV.  
Polymer,  
vertical line post.  
69 - 138 kV.

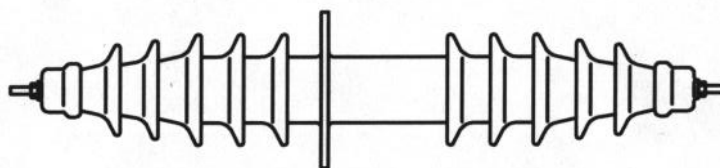
## ISOLATEUR DE TRANSMISSION TRANSMISSION INSULATOR



TUBE ISOLANT EN PORCELAINE POUR BOUILLOIRE.  
PORCELAIN INSULATING TUBE FOR BOILERS.



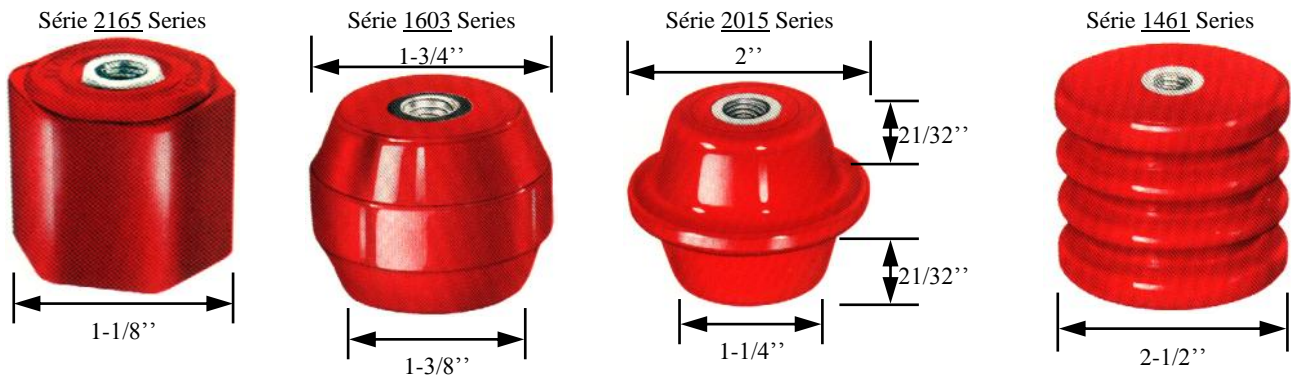
TUBE ONDULÉ ISOLANT EN PORCELAINE POUR BOUILLOIRE.  
PORCELAIN INSULATING CORRUGATED TUBE FOR BOILER.



TRAVERSÉE MURALE.  
WALL BUSHING.

## TUBES / BUSHING

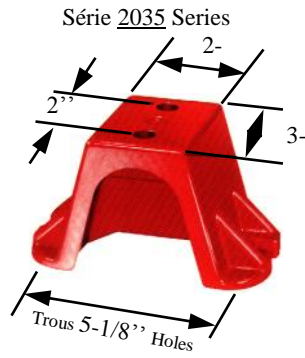
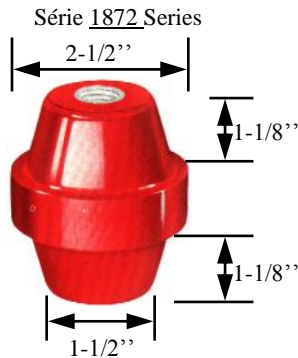
Isolateurs / Insulators



Numéro de catalogue. Catalog number.	Hauteur (po). Height (in.)	Diamètre du filet X profondeur (po.) Thread diameter X depth (in.)	Voltage (V)	Poids (lbs/100) Weight (lbs/100)
<b>2165 -1A</b>	1	1/4 (20) X 5/16	600	6
<b>2165- 1B</b>	1-1/4	1/4 (20) X 5/16	600	6
<b>1603- 1B</b>	1-3/8	3/8 (16) X 3/8	600	19
<b>1603- 2B</b>	1-3/8	3/8 (16) X 3/8	600	19
<b>2015- 1A</b>	1-1/2	1/4 (20) X 1/2	1 500	20
<b>2015- 2A</b>	1-1/2	5/16 (18) X 7/16	1 500	20
<b>2015- 3A</b>	1-1/2	3/8 (16) X 3/8	1 500	20
2015- 2B	1-3/4	5/16 (18) X 7/16	2 000	25
2015- 3B	1-3/4	3/8 (16) X 3/8	2 000	25
<b>2015- 2C</b>	2	5/16 (18) X 7/16	2 300	30
<b>2015- 3C</b>	2	3/8 (16) X 9/16	2 300	31
2015- 4C	2	1/2 (13) X 5/8	2 300	30
2015- 3D	2-1/4	3/8 (16) X 9/16	2 700	38
2015- 4D	2-1/4	1/2 (13) X 5/8	2 700	38
1461- 1A	2-1/8	3/8 (16) X 9/16	2 500	61
<b>1461- 1B</b>	2-1/8	1/2 (13) X 5/8	2 500	61
1461- 1C	2-1/8	5/8 (11) X 5/8	2 500	61

**Matériel:** Fibre de verre renforcé  
**Material:** Reinforced fiberglass

**ISOLATEUR EN FIBRE DE VERRE / FIBERGLASS INSULATOR**



Isolateurs / Insulators

Numéro de catalogue. Catalog number.	Hauteur (po). Height (in.)	Diamètre du filet X profondeur (po.) Thread diameter X depth (in.)	Voltage (V)	Poids (lbs/100) Weight (lbs/100)
<b>1872-1A</b>	2-1/2	3/8 (16) X 9/16	3 200	44
1872-2A	2-1/2	1/2 (13) X 5/8	3 200	45
1872-3F	2-5/8	5/8 (11) X 11/16	3 400	60
<b>1872-1B</b>	2-3/4	3/8 (16) X 9/16	3 600	63
1872-2B	2-3/4	1/2 (13) X 5/8	3 600	63
<b>1872-1C</b>	3	3/8 (16) X 9/16	4 100	68
1872-2C	3	1/2 (13) X 5/8	4 100	68
1872-1D	3-1/4	3/8 (16) X 9/16	4 500	81
1872-2D	3-1/4	1/2 (13) X 5/8	4 500	81
1872-1E	3-1/2	3/8 (16) X 9/16	5 000	88
<b>1872-2E</b>	3-1/2	1/2 (13) X 5/8	5 000	88
1872-3E	3-1/2	5/8 (11) X 11/16	5 000	88
2035-1	3-1/2	CERCLE BOULON 2'' BOLT CIRCLE	5 000	120
1642-10E	3-1/2	3/8 (16) X 9/16 CERCLE BOULON 2'' BOLT CIRCLE	5 000	178
<b>AR5420-16A</b>	6	3/8 (16) X 9/16 CERCLE BOULON 2'' BOLT CIRCLE	15 000	345

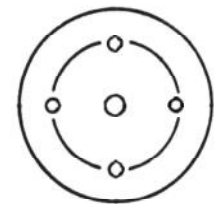
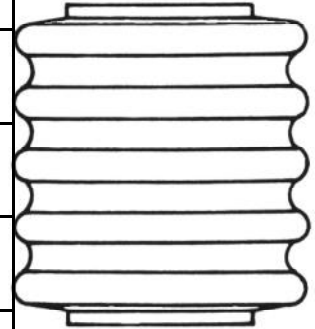
**Matériel:** Fibre de verre renforcé

**Material:** Reinforced fiberglass

## ISOLATEUR EN FIBRE DE VERRE / FIBERGLASS INSULATOR



<b>Numéro de catalogue. Catalog number.</b>	<b>70001</b>	<b>70002</b>	<b>70003</b>	<b>70004</b>
Voltage (kV)	5	7.5	13.2	14.4
Hauteur totale (po.) Total height (in.)	3-1/2	4-1/2	6	7-1/2
Diamètre de l'isolateur (po.) Insulator diameter (in.)	4-1/2	4-1/2	4-1/2	4-1/2
Diamètre des trous. 2" cercle boulonnage (po.) Hole diameter. 2" bolt circle (in.)	3/8-16	3/8-16	3/8-16	3/8-16
Diamètre du trou central (po.) Center hole diameter (in.)	5/8-11	5/8-11	5/8-11	5/8-11
Force (lbs.) - Cantilever Strenght (lbs.) - Cantilever	1000	1500	1250	1000
Force - Torsion (po.-lbs) Strenght - Torsion (in.-lbs)	2500	3500	3500	3500
Force (lbs.) - Tension Strenght (lbs.) - Tension	2000	3000	3000	3000
Force (lbs.) - Compression Strenght (lbs.) - Compression	20000	20000	20000	20000
Emballage Standard Standard Package	9	9	6	6
Poids (lbs/100) Weight (lbs/100)	500	600	700	850



Isolateurs / Insulators

**Matériel:** Porcelaine grise

**Material:** Grey porcelain

## ISOLATEUR SUPPORT DE BARRE INTÉRIEUR INDOOR BUS SUPPORT INSULATOR