



Nouvelles,

Le Coupe-Circuits 27kv en polymère de Hubbell est le premier, et le seul d'avoir passer les tests et les exigences de conception type de la norme canadienne **CSA C310-09!**

En stock chez PTS



*Base Catalog No.	Maximum Design Voltage	Nominal System Voltage	Continuous Current (Amps)	Interrupt Capacity (Asym Amps)	Leakage to Ground Metal to Metal		*Weight (lb./kg.)	Arc Shortening Rod
CP710112P CP710112PB	15 kV	Thru 14.4 kV	100	10,000	12.6"	319 mm	9.6/4.4	No
CP710114	15 kV	Thru 14.4 kV	100	16,000	12.6"	319 mm	9.8/4.5	Yes‡
CP710143	15 kV	Thru 14.4 kV	200	12,000	12.6"	319 mm	10.4/4.7	Yes‡
CP710133	15 kV	Thru 14.4 kV	300	12,000**	12.6"	319 mm	9.9/4.5	N/A
CP710211P CP710211PB	27 kV	Thru 24.9 kV	100	8,000	17.1"	434 mm	11.0/5.0	No
CP710213	27 kV	Thru 24.9 kV	100	12,000	17.1"	434 mm	11.0/5.0	Yes‡
CP710242P CP710242PB	27 kV	Thru 24.9 kV	200	10,000	17.1"	434 mm	11.6/5.3	Yes‡
CP710233	27 kV	Thru 24.9 kV	300	12,000**	17.1"	434 mm	11.2/5.1	N/A

Protection

Suffix	Description
P	Connecteur Parallel / Parallel-groove clamps
E	Petit oeil / Small eyebolts
L	Gros oeil / Large eyebolts
B	Support de montage Traverse / Cross-arm bracket

COUPE-CIRCUIT POLYMÈRE CHANCE / CHANCE POLYMER FUSE CUTOUT



CHANCE



*Base Catalog No.	Maximum Design Voltage	Nominal System Voltage	Continuous Current (Amps)	Interrupt Capacity (Asym Amps)	Leakage to Ground Metalto Metal	*Weight (lb./kg.)	Arc Shortening Rod
C710112P C710122PB	15 kV	Thru 14.4 kV	100	10000	8.7"	14.23/ 6.45	No
C710114	15 kV	Thru 14.4 kV	100	16000	8.7"	14.43/ 6.55	Yes‡
C710143P C710143PB	15 kV	Thru 14.4 kV	200	12000	8.7"	15.03/ 6.82	Yes‡
C710133	15 kV	Thru 14.4 kV	300	12,000**	8.7"	14.53/ 6.59	
C710211P C710211PB	27 kV	Thru 24.9 kV	100	8,000	12.6"	17.73/ 8.04	No
C710213	27 kV	Thru 24.9 kV	100	12,000	12.6"	17.03/ 7.72	Yes‡
C710242P C710242PB	27 kV	Thru 24.9 kV	200	10,000	12.6"	17.73/ 8.04	Yes‡
C710233	27 kV	Thru 24.9 kV	300	12,000**	12.6"	17.23/ 7.82	
C710713P C710713PB	36 kV	Thru 34.5 kV	100	11,200	28.4"	30.73/ 13.94	Yes‡
C710743P C710743PB	27 kV	No Restrictions thru 24.9 kV; ‡26.4 thru 34.5 kV	100	12,000	28.4"	31.13/ 14.12	Yes‡
C710733	36 kV	Thru 34.5 kV	200	12,000**	28.4"	30.73/ 13.94	

Protection

Suffix	Description
P	Connecteur Parallel / Parallel-groove clamps
E	Petit oeil / Small eyebolts
L	Gros oeil / Large eyebolts
B	Support de montage Traverse / Cross-arm bracket

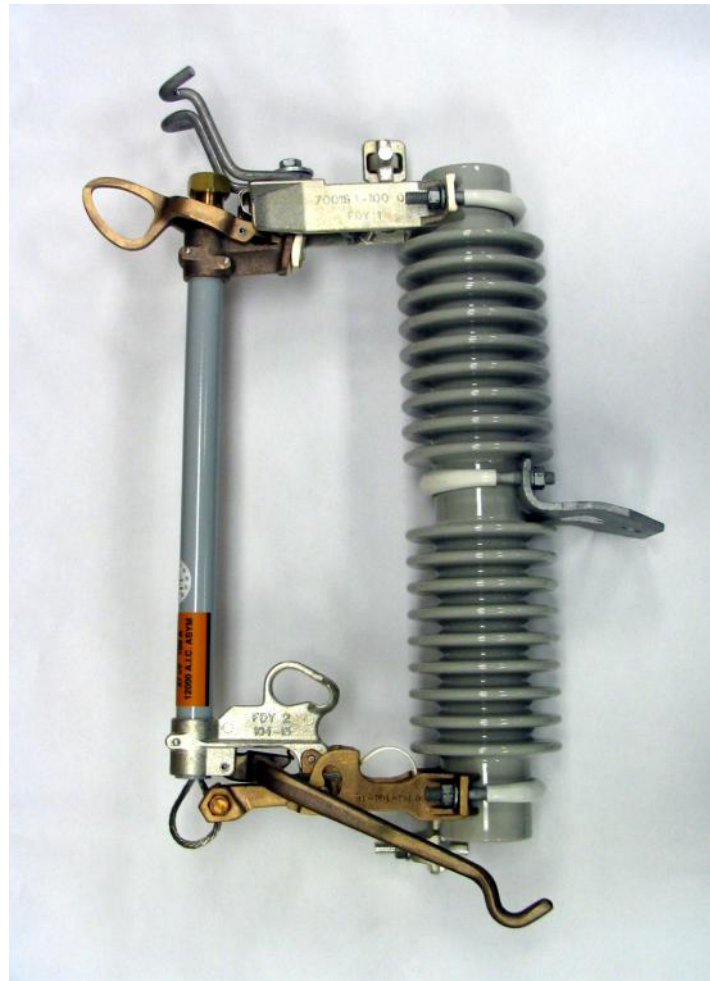
NOTE: 26" fuse links are recommended.

*Adjust total weight when selecting Options below.

**Momentary rating - Solid blade ‡Must use removable buttonhead fuse links.

‡For application on single-phase to neutral or three-phase solidly-grounded wye-connected circuits where recovery voltage does not exceed the maximum-design voltage of the device.

COUPE-CIRCUIT PORCELAINE CHANCE / CHANCE PORCELAIN FUSE CUTOUT



Numéro de catalogue.	Rating kV	Rating kV	Rating Amperes RMS Cont.	Rating Amperes RMS Inter.(Asym.)	Poids (lbs/100) Weight (lbs/100)
Catalog number.	Nom.	Bil.	Cont.	Inter.(Asym.)	(lbs/100)
89053-H.Q.	27	125	100	12000	2300

89053-H.Q. = Modèle Hydro - Québec. Avec dispositif casse fusible et crochet de préhension double.
89053-H.Q. = Hydro - Québec model. With fuse line break lever and "J" hook.

Matériel: Porcelaine grise

Material: Grey porcelain

COUPE-CIRCUIT / FUSE CUTOUT



Note:

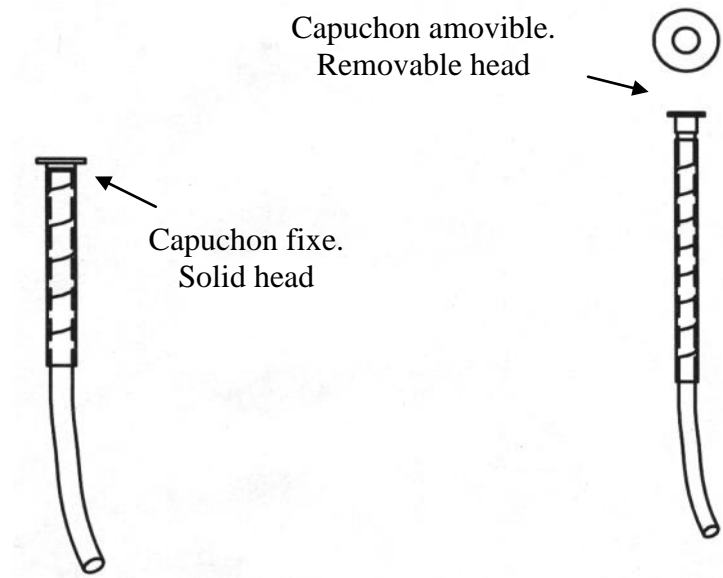
Type K = Rapide / Fast

Type N = Rapide / Fast

Type T = Lente / Slow

Type H = Très Lente / Very Slow

Type D = Très Lente / Very Slow



Numéro de catalogue. Catalog number.	Amperage	Type	Tête Head	Longueur total (po) Total length (in)
FL3H_	1,2,3,5,8	H	Amovible / Removable	23
FL1D_	1,1.5,2,3,4,5,7,10,15,20	D	Fixe / Solid	23
*SK15_	1 a / to 200	K	Amovible / Removable	23
FL3N_	5 a / to 200	N	Amovible / Removable	23
*ST15_	1 a / to 200	T	Amovible / Removable	23

*Fusible Chance avec boîte qui simplifie le rangement.

*Chance fuse with boxes to simplify storage and use.



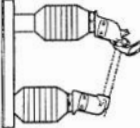
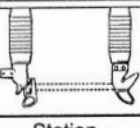
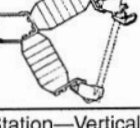
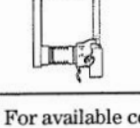


Protection

FUSIBLE / FUSE LINK



SMD-20 AND SMD-40 MOUNTINGS—Less Connectors^{①②}

Style	Type	Rating					Leakage Distance to Ground, Minimum, Inches	Catalog Number of Mounting (Including Live Parts and End Fittings, less Connectors ^⑤)		Page Reference for Dimensional Information
		kV			Amperes, RMS, Sym. ^③			Cypoxy Station Post Insulators	Porcelain Station Post Insulators	
		Nom.	Max	BIL	Max ^④	Interrupting				
 Overhead—Pole-Top ^⑦	SMD-20	14.4	17.0	125	200E	14 000	11	—	92122R3★	16
		14.4	17.0	150	200E	14 000	17	—	92142R3★	16
		25▲	27	150	200E	12 500	17	—	92123R3★	16
 Overhead—Pole-Top ^⑦	SMD-20	34.5	38	200	200E	10 000	25½	—	92544R3★	17
 Station—Vertical-Offset ^⑧	SMD-20	14.4	17.0	110	200E	14 000	15½	192222R2-E	192222R2	18
		25	27	150	200E	12 500	24	192223R2-E	192223R2	18
		34.5	38	200	200E	10 000	37	192504-E	192504	18
 Station—Inverted ^⑧	SMD-20	14.4	17.0	110	200E	14 000	15½	192292-E	192292	19
		25	27	150	200E	12 500	24	192293-E	192293	19
		34.5	38	200	200E	10 000	37	192294-E	192294	19
 Station—Right-Angle ^{⑦⑧}	SMD-20	14.4	17.0	110	200E	14 000	15½	192232R3-E★	192232R3★	20
		25	27	150	200E	12 500	24	192233R3-E★	192233R3★	20
		34.5	38	200	200E	10 000	37	192234R3-E★	192234R3★	20
 Station—Vertical ^⑧	SMD-40	4.8	5.5	95	400E	25 000	15½■	192320	192320-SP	21
		14.4	17.0	110	400E	25 000	15½	192322	192322-SP	21
		25	29	150	400E	20 000	24	192323	192323-SP	21

Protection

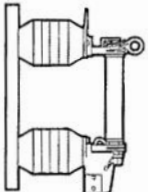
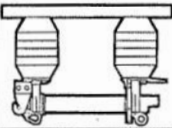
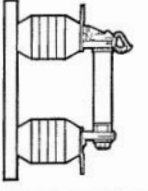
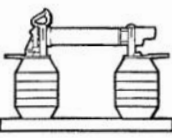
① For available connector arrangements, refer to page 12.
 ② SMD-20 and SMD-40 Live Parts are not available separately.
 ③ Symmetrical ratings assigned are based on available short-circuit current at locations where the X/R ratio is 15. The interrupting ratings expressed in amperes RMS asymmetrical are 1.6 times the symmetrical ratings listed. Higher symmetrical ratings have been determined for SMD-20 Power Fuses where X/R = 10 and X/R = 5. These higher ratings as well as asymmetrical ratings are given in S&C Descriptive Bulletin 242-32.
 ④ SMU-20 Fuse Units for use in SMD-20 Mountings are available in ratings through 200K amperes as well as 200E amperes.
 ⑤ Specify connectors, if desired, by adding the appropriate suffix letter to catalog number. For example, "SMD-20 Outdoor Distribution Power Fuse Mounting, Station—Vertical-Offset Style, Catalog Number 192222R2-L." (See table, page 12.)
 ⑥ All SMD-20 Mountings are equipped with attachment hook to accommodate Loadbuster.

⑦ Connectors must be specified for Overhead—Pole-Top Style and Right-Angle Style SMD-20 Mountings, refer to page 12.
 ⑧ SMD-40 Mountings can be equipped with an optional attachment hook to accommodate Loadbuster®. Specify by adding suffix "LB" to the catalog number of the SMD-40 Mounting.
 ▲ Also suitable for protection of single-phase-to-neutral circuits (lines or transformers) on 20/34.5 GrY-kV systems.
 ★ For provisions only for NEMA pad-terminal connectors or two-hole compression connectors, add suffix "G" to catalog number.
 ■ Mounting includes 14.4-kV 110-kV BIL Cypoxy station post insulators. Leakage distance to ground is 10½ inches (267 mm) for mountings with 95-kV BIL porcelain station post insulators; i.e., Catalog Number 192320-SP.

FUSIBLE DE PUISSANCE S&C / S&C POWER FUSES



SM MOUNTINGS AND HOLDERS—Less Refill Units

Style	Type	Rating					Catalog Number			Page Reference for Dimensional Information
		kV			Amperes, RMS, Sym. ①		Mounting ^② (Including Live Parts, less Connectors ^③ less Holder)		Holder ^④	
		Nom.	Max	BIL	Max	Interrupting	Cypoxy Station Post Insulators	Porcelain Station Post Insulators		
Disconnect 180° Opening Vertical ^⑤ 	SM-4	7.2	8.3	95	200E	15 600	190501R1-E■	190501R1	86051	22
		14.4	17.0	110	200E	12 500	190502R1-E	190502R1	86052	22
		25	27	150	200E	9 400	190503R1-E	190503R1	86053	22
		34.5	38	150	200E	6 250	—	190054	86054	22
		34.5	38	200	200E	6 250	190504R1-E	190504R1	86054	22
	SM-5	7.2	8.3	95	400E	26 000	190601R2-E■	190601R2	86151R2	22
		7.2	8.3	95	720E	26 000	190561R3-E■	190561R3	86151R2◆	23
		14.4	17.0	110	400E	34 000▲	190602R2-E	190602R2	86152R2	22
		14.4	17.0	110	720E	25 000●	190562R3-E	190562R3	86152R2◆	23
		25	27	150	300E	20 000	190603R2-E	190603R2	86153R2	22
Disconnect 90° Opening Inverted 	SM-5	7.2	8.3	95	400E	26 000	190801R2-E■	190801R2	86191R2	24
		14.4	17.0	110	400E	34 000▲	190802R2-E	190802R2	86192R2	24
		25	27	150	300E	20 000	190803R2-E	190803R2	86193R2	24
		34.5	38	150	300E	17 500	—	190084	86194R2	24
		34.5	38	200	300E	17 500	190804R2-E	190804R2	86194R2	24
Non-Disconnect Vertical 	SM-4	7.2	8.3	95	200E	15 600	190301R1-E■●	190301R1●	86041	
		14.4	17.0	110	200E	12 500	190302R1-E●	190302R1●	86042	
		25	27	150	200E	9 400	190303R1-E●	190303R1●	86043	
		34.5	38	150	200E	6 250	—	190034●	86044	
		34.5	38	200	200E	6 250	190304R1-E●	190304R1●	86044	
	SM-5	7.2	8.3	95	400E	26 000	190401R2-E■●	190401R2●	86141R2	
		14.4	17.0	110	400E	34 000▲	190402R2-E●	190402R2●	86142R2	
		25	27	150	300E	20 000	190403R2-E●	190403R2●	86143R2	
		34.5	38	150	300E	17 500	—	190044●	86144R2	
		34.5	38	200	300E	17 500	190404R2-E●	190404R2●	86144R2	
Non-Disconnect Upright 	SM-4	7.2	8.3	95	200E	15 600	190301R1-E■●	190301R1●	86281●	
		14.4	17.0	110	200E	12 500	190302R1-E●	190302R1●	86282	
		25	27	150	200E	9 400	190303R1-E●	190303R1●	86283	
		34.5	38	150	200E	6 250	—	190034●	86284●	
		34.5	38	200	200E	6 250	190304R1-E●	190304R1●	86284●	
	SM-5	7.2	8.3	95	400E	26 000	190401R2-E■●	190401R2●	86381R2	
		14.4	17.0	110	400E	34 000▲	190402R2-E●	190402R2●	86382R2	
		25	27	150	300E	20 000	190403R2-E●	190403R2●	86383R2	
		34.5	38	150	300E	17 500	—	190044●	86384R2	
		34.5	38	200	300E	17 500	190404R2-E●	190404R2●	86384R2	

① Symmetrical ratings assigned are based on available short-circuit current at locations where the X/R ratio is 15. The interrupting ratings expressed in amperes RMS asymmetrical are 1.6 times the symmetrical ratings listed. Higher symmetrical ratings have been determined for these fuses applied at lower system voltages and in locations where X/R = 10 and X/R = 5. These higher ratings as well as asymmetrical ratings are given in S&C Descriptive Bulletin 242-30.

② For live parts furnished separately, refer to the table on page 15.

③ For available connectors, refer to the table on page 13.

④ Holder does not carry Snuffer or Silencer.

⑤ All SM-4 Mountings in the Disconnect 180° Opening Vertical Style can be equipped with attachment hook to accommodate Loadbuster. Specify by adding suffix "-LB" to catalog number of the mounting.

▲ 60-hertz rating. For systems rated above 15.5 kV through 17.0 kV, interrupting rating is 25,000 amperes RMS symmetrical, 50/60 hertz.

● 60-hertz rating.

■ Mounting includes 14.4-kV 110-kV BIL Cypoxy station post insulators.

● Product discontinued.

◆ Two holders required with each mounting.

FUSIBLE DE PUISSANCE S&C / S&C POWER FUSES



SMU-20® FUSE UNITS (For use in SMD-20 Mountings)

14.4 kV Nominal, 17.0 kV Max					
"K" Ratings			"E" Ratings		
Rating, Amperes ↓	Catalog Number	Rating, Amperes ↓	Catalog Number		
Speed →	S&C "K" TCC 165-2	Speed →	S&C Std. TCC 115-2		
		1	702001		
		Speed →	S&C Std. TCC 153-2	S&C Slow TCC 119-2	S&C Very Slow TCC 176-2
3K	702003	5E	612005		
6K	702006	7E	612007		
8K	702008	10E	612010		
10K	702010	13E	612013		
12K	702012	15E	612015	712015	
15K	702015	20E	612020	712020	
20K	702020	25E	612025	712025	
25K	702025	30E	612030	712030	
30K	702030	40E	612040	712040	
40K	702040	50E	612050	712050	602050
50K	702050	65E	612065	712065	602065
65K	702065	80E	612080	712080	602080
80K	702080	100E	612100	712100	602100
100K	702100	125E	612125	712125	602125
140K	702140	150E	612150	712150	602150
200K	702200	175E	612175	712175	602175
		200E	612200	712200	602200

SMU-20® FUSE UNITS (For use in SMD-20 Mountings)—Continued

25 kV Nominal, 27 kV Max ^①					
"K" Ratings			"E" Ratings		
Rating, Amperes ↓	Catalog Number	Rating, Amperes ↓	Catalog Number		
Speed →	S&C "K" TCC 165-2	Speed →	S&C Std. TCC 115-2		
		1	703001		
		Speed →	S&C Std. TCC 153-2	S&C Slow TCC 119-2	S&C Very Slow TCC 176-2
3K	703003	5E	613005		
6K	703006	7E	613007		
8K	703008	10E	613010		
10K	703010	13E	613013		
12K	703012	15E	613015	713015	
15K	703015	20E	613020	713020	
20K	703020	25E	613025	713025	
25K	703025	30E	613030	713030	
30K	703030	40E	613040	713040	
40K	703040	50E	613050	713050	603050
50K	703050	65E	613065	713065	603065
65K	703065	80E	613080	713080	603080
80K	703080	100E	613100	713100	603100
100K	703100	125E	613125	713125	603125
140K	703140	150E	613150	713150	603150
200K	703200	175E	613175	713175	603175
		200E	613200	713200	603200

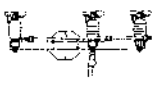




34.5 kV Nominal, 38 kV Max					
"K" Ratings			"E" Ratings		
Rating, Amperes ↓	Catalog Number	Rating, Amperes ↓	Catalog Number		
Speed →	S&C "K" TCC 165-2	Speed →	S&C Std. TCC 115-2		
		1	704001		
		Speed →	S&C Std. TCC 153-2	S&C Slow TCC 119-2	S&C Very Slow TCC 176-2
3K	704003	5E	614005		
6K	704006	7E	614007		
8K	704008	10E	614010		
10K	704010	13E	614013		
12K	704012	15E	614015	714015	
15K	704015	20E	614020	714020	
20K	704020	25E	614025	714025	
25K	704025	30E	614030	714030	
30K	704030	40E	614040	714040	
40K	704040	50E	614050	714050	604050
50K	704050	65E	614065	714065	604065
65K	704065	80E	614080	714080	604080
80K	704080	100E	614100	714100	604100
100K	704100	125E	614125	714125	604125
140K	704140	150E	614150	714150	604150
200K	704200	175E	614175	714175	604175
		200E	614200	714200	604200

① Also suitable for protection of single-phase-to-neutral circuits (lines or transformers) on 20/34.5 GrY-kV systems.

Protection



S&C OMNI-RUPTEUR SWITCHES—Three-Pole Side-Break Integer Style, with steel bases^①

Mounting Configuration	Standard Mounting/ Operating Arrangements ^②	Rating					Cyproxy Insulators ^⑥	Porcelain Station Post Insulators ^⑦	Page Reference for Dimensional Information	
		kV			Amperes, RMS					
		Nom.	Max	BIL	Cont. ^③	Mom. (Asym.) ^{④⑤}	Catalog Number	Catalog Number		
Upright ^① 	ED-701R2 (-S1, -S2, -S6)	14.4	17.0	110	900	40 000	147412R1 147413R2	147412R1-SP 147413R2-SP	10	
		25	29	150	900	40 000				
Upright ^① Hookstick Operated 	ED-700▲	14.4	17.0	110	900	40 000	147412R1-H 147412R1-H2	147412R1-HSP 147412R1-H2SP		
		25	29	150	900	40 000	147413R2-H 147413R2-H2	147413R2-HSP 147413R2-H2SP		
Upright ^{①⑧} (Extra Mounting Pole Clearance) 	ED-701R2 (-S1, -S2, -S6)	14.4	17.0	110	900	40 000	147422R1 147423R2	147422R1-SP 147423R2-SP		
		25	29	150	900	40 000				
Upright ^{①⑧} Hookstick Operated (Extra Mounting Pole Clearance) 	ED-700	14.4	17.0	110	900	40 000	147422R1-H 147422R1-H2	147422R1-HSP 147422R1-H2SP		
		25	29	150	900	40 000	147423R2-H 147423R2-H2	147423R2-HSP 147423R2-H2SP		
Vertical ^① 	ED-703R2 (-S2, -S6, -S10, -S15)	14.4	17.0	110	900	40 000	147512R1 147513R2	147512R1-SP 147513R2-SP		12
		25	29	150	900	40 000				

① Switches shown include the appropriate set of operating-mechanism components as specified on the erection drawing (ED) for the switch. Switches do not include connectors (refer to table on page 3).

② The applicable Standard Mounting/Operating Arrangement, designated by the erection drawing (ED) number shown, should be specified when ordering. The “-S” suffixes in parentheses for switches with vertical operating shafts identify available Standard Minor Modifications to the basic erection drawing. The applicable Standard Minor Modifications may be specified by adding the appropriate suffix to the erection drawing number. Refer to page 8 for description of Standard Minor Modifications. Note: The vertical pipe for these switches is limited to a total length of approximately 50 feet.

Although the ED-700 components for hookstick-operated switches are assembled to the switch and adjusted at the factory, some minor disassembly is required for shipping purposes. However, no adjustments should be required following reassembly in the field.

③ Omni-Rupter Switches rated 14.4 kV and 25 kV can carry up to 1000 amperes on a continuous basis for ambient temperatures to 40°C with a minimum wind velocity of two feet per second. *Emergency* interrupting performance may be expected for currents to 1000 amperes; refer to page 2 for detailed information concerning interrupting ratings.

④ The 1-second rating is 25,000 amperes RMS symmetrical and the 3-second rating is 16,000 amperes RMS symmetrical.

⑤ The *two-time* duty-cycle fault-closing capability for an Omni-Rupter Switch is 20,000 amperes RMS asymmetrical. The *three-time* duty-cycle fault-closing capability for these switches is 15,000 amperes RMS asym-

metrical. The duty-cycle fault-closing capability defines the ability to close the switch (without quick-make mechanism and when operated vigorously through its full travel without hesitation at any point) the specified number of times against a three-phase fault with asymmetrical current in at least one phase equal to the listed value, with the switch remaining operable and able to carry and interrupt rated continuous current.

⑥ Leakage distance is 11¹/₈ inches (359 mm) for 14.4-kV switches and 24¹/₈ inches (613 mm) for 25-kV switches.

⑦ Leakage distance is 15¹/₂ inches (394 mm) for 14.4-kV switches and 24 inches (610 mm) for 25-kV switches.

⑧ These switches include dead-ending brackets as standard. When dead-ending to these brackets, extension-link assemblies are required. Extension-link assemblies can be provided by adding suffix “-D” to the catalog number of the switch. Maximum dead-end loading: 2000 pounds per conductor where pull-off forces are applied to only one side of the switch; 8000 pounds per conductor where equal pull-off forces are applied to both sides of the switch (except switches with extra mounting pole clearance for which dead-end loading is limited to 1500 pounds per conductor where pull-off forces are applied to only one side of the switch.)

⑨ Switches with the “-H2” suffix are equipped with an enhanced hookstick-operated lockout/tagout device.

⑩ Switches in the vertical and tiered-outboard mounting configurations require the addition of shields (Catalog Number Suffix “-B”) to ensure the ¾-inch ice-breaking capability of the switch.

Protection

INTERRUPTEUR OMNI-RUPTEUR S&C / S&C OMNI-RUPTEUR SWITCH



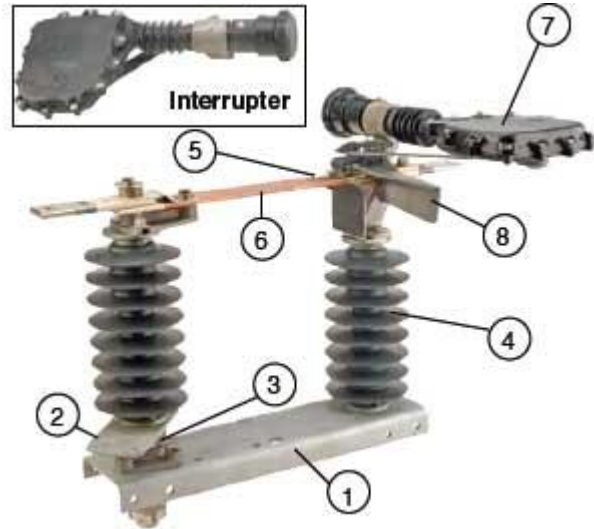
Rotating-Type Operating Mechanism		Reciprocating-Type Operating Mechanism	
Upright	Triangular	Vertical	Tiered Outboard
<p>Steel-Base Switches ED-701 (As shown)</p> <p>Insulated-Base Switches ED-711</p>	<p>Steel-Base Switches ED-704 (As shown)</p>	<p>Steel-Base Switches ED-703 (As shown)</p> <p>Insulated-Base Switches ED-713</p>	<p>Insulated-Base Switches ED-715</p> <p>Steel-Base Switches ED-705 (As shown)</p>

Protection

**INTERRUPTEUR OMNI-RUPTEUR S&C /
S&C OMNI-RUPTER SWITCH**



Interrupteur 29kV 900 amp
Num: AR116SS



A R 1 X X X X X X X X X X X X

Position 1:

Configuration

1 = Horizontal
2 = Vertical
3 = Ø-over-Ø
4 = Delta
5 = Inverted

Position 2:

Insulation, kV Impulse (maximum system kV)

1 = 110 porcelain (17.1kV)
3 = 110 polymer (17.1kV)
4 = 150 polymer (29kV)
6 = 150 polymer (38kV grounded-wye)
7 = 150 polymer Long Leak (39.6") (38kV grounded-wye)

Position 3:

Crossarm/Inter-Phase Shaft

S = Steel
F = Fiberglass
M = Steel crossarm, fiberglass interphase shaft

Position 4:

Standard Controls — Pipe sizes on drawings, pages 14A-4 thru -8 (All configurations)

S = All Steel Vertical Sections
F = One Fiberglass Vertical Section
H = Vertical Controls replaced with Hook stick Operating Mechanism

Heavy-Duty Controls — 1¼" IPS (Vertical and Ø-over-Ø only)

T = All Steel Vertical Sections
G = One Fiberglass Vertical Section

Positions 5 through 12:
See Option Tables for each Configuration

*To specify Offset Control, add 0116 as a suffix after building a complete Catalog Number for all other features.

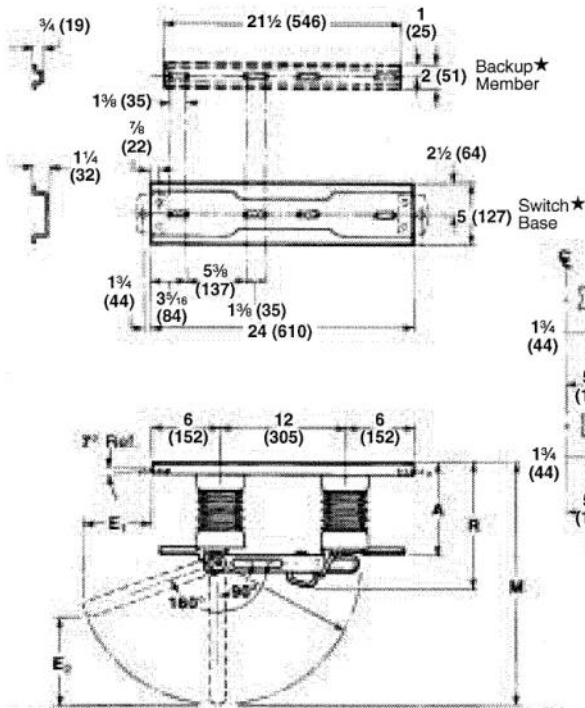
Protection

**INTERRUPTEUR CHANCE /
CHANCE SWITCH**

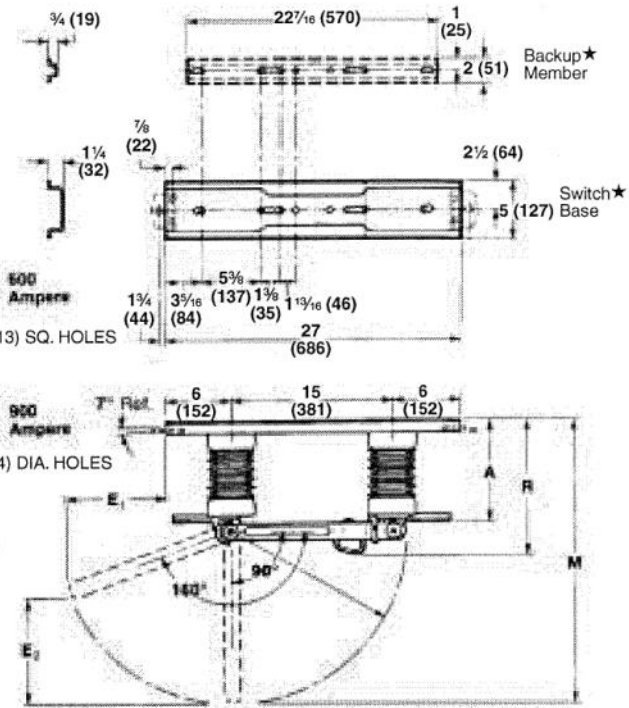


Branch Feeder Style (with bases having carriage-bolt slots)

Dimensions in inches (mm)

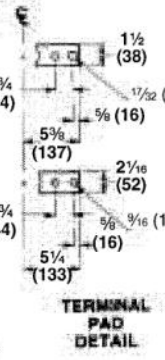


Catalog Numbers 4942R9, 4942R9-E, 4752R9, and 4752R9-E



Catalog Numbers 4922R9, 4922R9-E, 4943R9, 4943R9-E, 4733R9, and 4733R9-E

* Slots are located symmetrically with respect to end of base.



Style	Mounting Position ^①	Rating					Catalog Number (less Connectors) ^④	Dimensions in Inches (mm)					Net Wt., Lbs. (kg.)
		kV			Amperes, RMS			A	E ₁	E ₂	M	R	
		Nom.	Max	BIL ^②	Cont.	Mom. ^③							
Branch Feeder (with bases having carriage-bolt slots)	Vertical or Inverted	14.4	15.5	110	600	40 000	4942R9	8 1/2 (216)	5 1/4 (133)	7 3/8 (194)	21 1/8 (549)	11 1/4 (298)	29 (13.2)
							4942R9-E	8 1/2 (216)	5 1/4 (133)	7 3/8 (194)	21 1/8 (549)	11 1/4 (298)	23 (10.4)
					4922R9	8 1/2 (216)	8 1/8 (206)	9 3/4 (248)	24 3/8 (625)	11 1/4 (298)	32 1/2 (14.7)		
					4922R9-E	8 1/2 (216)	8 1/8 (206)	9 3/4 (248)	24 3/8 (625)	11 1/4 (298)	26 1/2 (12.0)		
		25	27	125▲	600	40 000	4752R9	8 1/2 (216)	6 3/8 (162)	8 (203)	22 1/2 (572)	11 1/4 (298)	34 (15.4)
							4752R9-E	8 1/2 (216)	6 3/8 (162)	8 (203)	22 1/2 (572)	11 1/4 (298)	28 (12.7)
					4943R9	11 1/4 (298)	8 1/8 (206)	9 3/4 (248)	25 3/4 (654)	13 (330)	33 1/2 (15.2)		
					4943R9-E	11 1/4 (298)	8 1/8 (206)	9 3/4 (248)	27 3/4 (705)	15 (381)	30 (13.6)		
900	40 000	4733R9	9 3/4 (248)	9 1/8 (232)	10 (254)	26 3/4 (679)	13 (330)	39 1/2 (17.9)					
		4733R9-E	9 3/4 (248)	9 1/8 (232)	10 (254)	28 3/4 (730)	15 (381)	35 1/2 (16.1)					

① Blade opens 160°. A blade stop pin (furnished) can be positioned to limit blade travel to 90° but should only be used if the disconnect is installed in the vertical position.
 ② Verified by impulse tests with disconnect blade closed or open and base grounded, and with disconnect blade open and base ungrounded. Meets ANSI Standards C37.34-2.1.5-1971 and C37.34-2.4.2-1971.
 ③ For disconnects rated 900 amperes continuous, the 3-second rating is 25,000 amperes RMS symmetrical. For disconnects rated 600 amperes

continuous, the 1-second rating is 25,000 amperes RMS symmetrical and the 3-second rating is 16,000 amperes RMS symmetrical.

④ Catalog number suffix "-E" signifies model is furnished with S&C Cypoxy insulators. Catalog number *without* suffix "-E" signifies model is furnished with porcelain distribution-type insulators.

▲ These disconnects equipped with Cypoxy insulators meet requirements for 150-kV BIL rating.

INTERRUPTEUR A LAME S&C / S&C DISCONNECT BLADE SWITCH

Protection



Type M3 Switch DISTRIBUTION CLASS

RUS Listed

Ordering Information

M3

1

2

3

4

5

6

7

BASE

D = Distribution base, serrated slots with four 3/8" x 8"/10" carriage bolts and backstrap

H = Distribution base, smooth slots with four 1/2" x 8"/10" carriage bolts and backstrap

RATED CURRENT

6 = 600 AMP

9 = 900 AMP

INSULATION

- 2** = 15kV 110BIL Porcelain
- 3** = 25kV 125BIL Porcelain (not available in 900 amp)
- 4** = 35kV 150BIL Porcelain
- 6** = 15kV 110BIL Polymer
- 7** = 25kV 125BIL Polymer (not available in 900 amp)
- 8** = 35kV 150BIL Polymer

OPTIONS

C = Captive Hardware*

Consists of 4 each: 1/2" 13 stainless steel bolts, 1/2" flatwasher / lockwasher, 1/2" 13 bronze nut

L = Open Position Latch (P8070181P)

Stainless steel latch for holding the blade in the 160° open position

P = Parallel Groove Terminals* (ACT1343 2 per switch)

Two complete connectors and hardware. Accepts #2 - 500 kcmil (Copper or Aluminum)

R = Bypass Studs (P8070166P 2 per switch)

Two copper alloy bypass studs, which can be used for regulator or recloser bypassing

*NOTE: Captive Hardware and Parallel Groove Terminals **CANNOT** be ordered together.

BOLT LENGTH

A = 10" Length

B = 8" Length



Protection



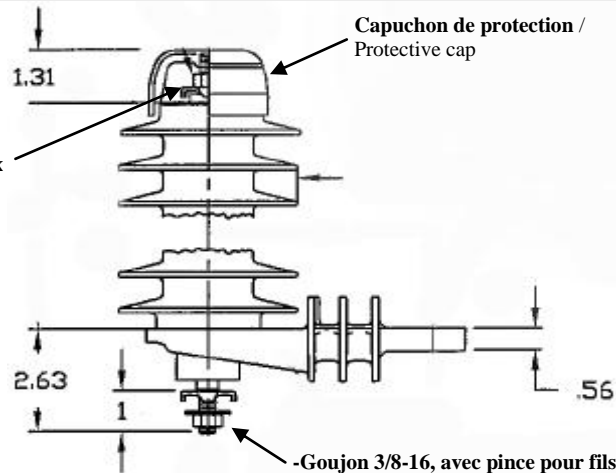
CHANCE

INTERRUPTEUR A LAME CHANCE/ CHANCE DISCONNECT BLADE



Matériel: Polymère gris
Material: Grey polymer

-Goujon 3/8-16, avec noix
et pince pour fils.
-3/8-16 stud with nut &



-Goujon 3/8-16, avec pince pour fils,
rondelle plate et noix
-3/8-16 stud with wire clamp, flat washer
and nut



Séries: PDV-100 Optima

Numéro de catalogue. Catalog number.	Rated Voltage kV	MCOV kV	Height X (in.)	Leakage Distance Terminal to Base (in.)	0.5 μsec 10kA Max. IR-kV	500A Swit- ching Surge Maximum IR-kV	8/20 Maximum Discharge Voltage - kV						Poids lbs/100 Weight lbs/100
							1.5 (kA)	3 kA	5 (kA)	10 (kA)	20 (kA)	40 (kA)	
2137037314	3	2.55	6.8	8.5	10.6	7.6	8.0	8.5	9.0	9.9	11.1	13.2	290
2137057314	6	5.1	7.6	11.3	21.3	15.3	15.9	17.0	18.0	19.8	22.3	26.5	330
2137087314	9	7.65	8.7	14.4	31.2	22.4	23.3	24.9	26.4	29.0	32.6	38.8	380
2137097314	10	8.4	8.7	14.4	34.0	24.4	25.4	27.1	28.8	31.6	35.6	42.3	380
2137107314	12	10.2	9.3	17.0	40.4	29.0	30.3	32.3	34.2	37.6	42.3	50.3	430
2137137314	15	12.7	11.6	25.2	51.4	36.9	38.5	41.1	43.5	47.8	53.8	64.0	560
2137157314	18	15.3	11.6	25.2	60.6	43.5	45.4	48.4	51.3	56.4	63.5	75.5	560
2137177314	21	17	12.4	28.1	68.3	49.0	51.1	54.5	57.8	63.5	74.4	85.0	520
2137207314	24	19.5	15.3	36.5	81.9	58.8	61.3	65.5	69.3	76.2	85.7	102.0	830
2137227314	27	22	16.4	39.6	91.9	65.9	68.8	73.4	77.8	85.5	96.2	114.4	870
2137247314	30	24.4	16.9	42.2	101.1	72.5	75.7	80.7	85.5	94.0	105.8	125.8	920
2137297314	36	29	19.3	50.4	121.4	87.0	97.9	97.0	102.7	112.9	127.0	151.1	1030

Protection

**PARAFONDRE DE TYPE DISTRIBUTION EN POLYMÈRE.
DISTRIBUTION TYPE POLYMER SURGE ARRESTER.**



Séries: PVI

Matériel: Polymère gris
Material: Grey polymer

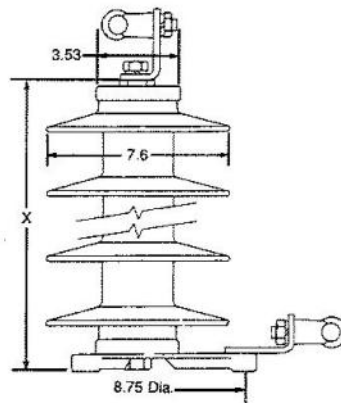


FIGURE 1

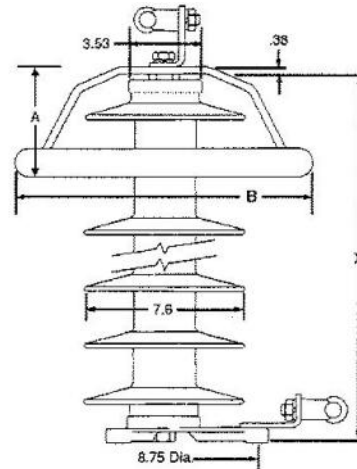


FIGURE 2

Numéro de catalogue. Catalog number.	Fig.	Rated Voltage kV	MCOV kV rms	Height X (in.)	Leakage Distance (in.)	0.5 µsec 10kA Max. IR-kV	500A Switching Surge Maximum IR-kV	8/20 Maximum Discharge Voltage - kV						Poids lbs/100 Weight lbs/100
								1.5 (kA)	3 (kA)	5 (kA)	10 (kA)	20 (kA)	40 (kA)	
300003-****	1	3	2.55	9.5	19	8.6	6.4	6.8	7.2	7.5	8.1	9.0	10.1	1100
300005-****	1	6	5.1	9.5	19	17.1	12.7	13.6	14.4	15.0	16.2	17.9	20.2	1200
300008-****	1	9	7.65	9.5	19	25.8	19.1	20.5	21.6	22.6	24.4	27.0	30.4	1200
300009-****	1	10	8.4	9.5	19	28.4	21.1	22.6	23.8	24.9	26.9	29.8	33.5	1200
300010-****	1	12	10.2	9.5	19	34.1	25.3	27.1	28.6	29.9	32.3	35.8	40.3	1200
300013-****	1	15	12.7	12.0	26	42.9	31.8	34.1	36.0	37.6	40.6	44.9	50.6	1500
300015-****	1	18	15.3	12.0	26	51.6	38.3	40.9	43.2	45.2	48.8	54.0	60.9	1500
300017-****	1	21	17	12.0	26	56.9	42.2	45.1	47.7	49.9	53.8	59.6	67.1	1500
300019-****	1	24	19.5	17.5	40	68.3	50.6	54.2	57.2	59.9	64.6	71.5	80.6	2000
300022-****	1	27	22	17.5	40	77.4	57.4	61.4	64.9	67.9	73.2	81.0	91.3	2000
300024-****	1	30	24.4	17.5	40	85.3	63.3	67.7	71.5	74.8	80.7	89.3	101.0	2100
300029-****	1	36	29	17.5	40	100.0	73.9	79.0	83.5	87.3	94.2	104.0	117.0	2100
300031-****	1	39	31.5	22.8	54	108.4	80.4	86.1	90.9	95.1	102.6	113.6	127.9	2600
300036-****	1	45	36.5	22.8	54	125.1	92.8	99.3	104.9	109.8	118.4	131.1	147.6	2700
300039-****	1	48	39	22.8	54	130.9	97.1	103.9	109.7	114.8	123.8	137.0	154.4	2700
300042-****	1	54	42	22.8	54	148.0	109.8	117.5	124.0	129.8	140.0	155.0	174.6	2800
300048-****	1	60	48	33.2	81	170.6	126.5	135.4	143.0	149.6	161.4	178.7	201.0	3800
300057-****	1	72	57	33.2	81	199.0	147.7	158.1	166.9	174.6	188.4	209.0	235.0	3900
300070-****	2	90	70	44.0	109	250.0	185.7	198.7	209.8	219.5	236.8	262.0	295.0	5200
300076-****	2	96	76	44.0	109	261.7	194.1	207.7	219.4	229.5	247.6	274.1	308.8	5300
300084-****	2	108	84	44.0	109	296.0	219.5	234.9	248.1	259.6	280.0	310.0	349.2	5400
300088-****	2	108	88	44.0	109	296.0	219.5	234.9	248.1	259.6	280.0	310.0	349.2	5400
300098-****	2	120	98	66.5	162	327.7	243.0	260.1	274.7	287.4	310.0	343.2	386.6	6750
300106-****	2	132	106	66.5	162	375.2	278.3	297.8	314.5	329.1	355.0	393.0	443.0	6750
300115-****	2	144	115	66.5	162	392.0	290.9	311.3	328.7	343.9	371.0	411.0	463.0	6750

**** Voir page 4 pour les options des connecteurs

**** See page 4 for connectors options.

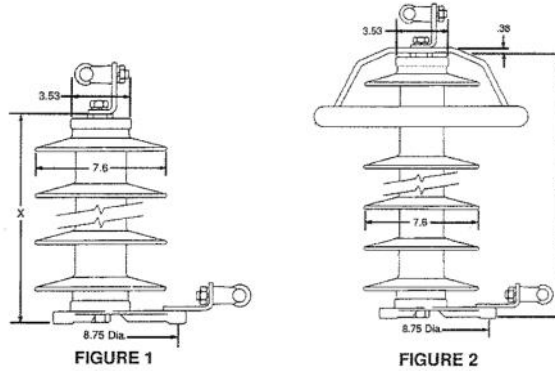
PARAFONDRE INTERMÉDIAIRE / INTERMEDIATE ARRESTER



Séries: PVN

Matériel: Polymère gris

Material: Grey polymer



Numéro de catalogue. Catalog number.	fig	Rated Voltage kV	MCOV kV rms	Height (in.)	Leakage Distance (in.)	0.5 µsec 10kA Max. IR-kV	500A Switching Surge Maximum IR-kV	8/20 Maximum Discharge Voltage - kV						Poids lbs/100
								1.5 (kA)	3 (kA)	5 (kA)	10 (kA)	20 (kA)	40 (kA)	Weight lbs/100
310003-****	1	3	2.55	10.2	23	8.4	6.0	6.4	6.7	7.1	7.6	8.4	9.6	2030
310005-****	1	6	5.1	10.2	23	16.7	11.9	12.8	13.5	14.1	15.2	16.8	19.1	2080
310008-****	1	9	7.65	10.2	23	25.0	17.8	19.2	20.2	21.1	22.7	25.1	28.3	2130
310009-****	1	10	8.4	10.2	23	27.8	19.8	21.4	22.5	23.5	25.3	28.0	31.8	2160
310010-****	1	12	10.2	12.8	31	33.3	23.7	25.6	26.9	28.1	30.3	33.5	38.1	2520
310013-****	1	15	12.7	12.8	31	41.7	29.7	32.0	33.7	35.2	37.9	42.0	47.6	2580
310015-****	1	18	15.3	12.8	31	50.1	35.6	38.4	40.4	42.3	45.5	50.4	57.2	2630
310017-****	1	21	17	18.2	46	56.3	40.1	43.2	45.5	47.6	51.2	56.7	64.4	3360
310019-****	1	24	19.5	18.2	46	63.9	45.5	49.1	51.6	54.0	58.1	64.3	73.0	3420
310022-****	1	27	22	18.2	46	72.9	51.9	56.0	58.9	61.6	66.3	73.4	83.3	3470
310024-****	1	30	24.4	18.2	46	80.4	57.2	61.7	64.9	67.9	73.1	80.9	91.9	3520
310029-****	1	36	29	18.2	46	95.9	68.3	73.6	77.4	81.0	87.2	96.5	109.6	3650
310031-****	1	39	31.5	23.5	62	104.2	74.2	80.0	84.1	88.0	94.7	104.8	119.0	4350
310036-****	1	45	36.5	23.5	62	120.9	86.1	92.8	97.6	102.1	109.9	121.7	138.1	4440
310039-****	1	48	39	23.5	62	128.7	91.6	98.8	103.9	108.7	117.0	129.5	147.1	4520
310042-****	1	54	42	28.8	78	144.4	102.8	110.9	116.6	122.0	131.3	145.3	165.0	5260
310048-****	1	60	48	28.8	78	163.5	116.4	125.5	132.0	138.0	148.6	164.5	186.8	5360
310057-****	1	72	57	34	92	191.8	136.6	147.3	154.9	162.0	174.4	193.1	219.2	7670
310070-****	2	90	70	44.6	124	241.8	172.1	185.6	195.2	204.2	219.8	243.3	276.3	7700
310076-****	2	96	76	44.6	124	257.4	183.2	197.6	207.8	217.4	234.0	259.0	294.1	8000
310084-****	2	108	84	55.3	156	288.9	205.6	221.8	233.2	244.0	262.6	290.7	330.1	9890
310088-****	2	108	88	55.3	156	288.9	205.6	221.8	233.2	244.0	262.6	290.7	330.1	9890
310098-****	2	120	98	55.3	156	326.9	241.3	251.0	263.9	276.1	297.2	329.0	373.6	10100
310106-****	2	132	106	55.3	156	352.0	252	270.0	284.0	298.0	317.0	353.0	404.0	10500
310115-****	2	144	115	65.8	186	386.1	285	296.5	311.7	326.1	351.0	388.6	441.2	12010
310131-****	2	168	131	84.4	234	445.0	330	343.0	363.0	380.0	409.0	446.0	503.0	15200
310140-****	2	172	140	84.4	234	455.0	338	351.0	372.0	389.0	419.0	457.0	516.0	15200
310144-****	2	180	144	84.4	234	476.0	354	367.0	389.0	407.0	438.0	478.0	539.0	15200
310152-****	2	192	152	84.4	234	508.0	377	391.0	415.0	434.0	467.0	509.0	575.0	15200
310180-****	2	228	180	112.2	312	604.0	448	465.0	493.0	516.0	556.0	607.0	684.0	20100

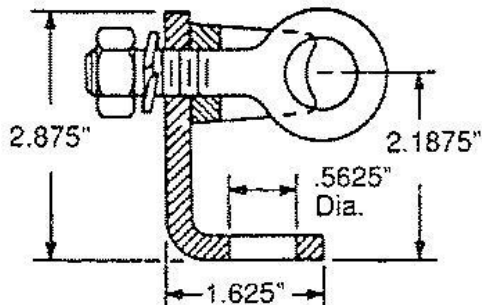
**** Voir page 4 pour les options des connecteurs

**** See page 4 for connectors options.

Note: Pour des informations plus détaillées contactez nous.

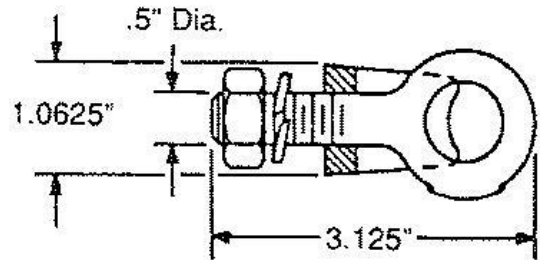
For further detailed information contact us.

PARAFONDRE À SOUS STATION / STATION CLASS ARRESTER



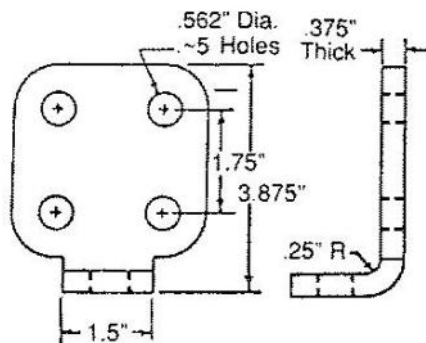
Suffix -3001 - Terminal de ligne standard
Gamme de conducteurs .25 to .81 pouce.
Ex: 300003-3001.

Suffix -3001 - Standard Line terminal
Range of conductor sizes .25 to .81 inch.
i.e.: 300003-3001.



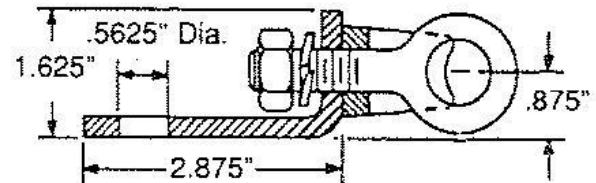
Suffix -3001 - Terminal de mise à la terre standard
Gamme de conducteurs .25 to .81 pouce.
Ex: 300003-3001.

Suffix -3001 - Standard Ground Terminal
Range of conductor sizes .25 to .81 inch.
i.e.: 300003-3001.



Option Terminal - Plaque NEMA 4 Trous
Suffix -3002 pour commander.
Ex: 300003-3002.

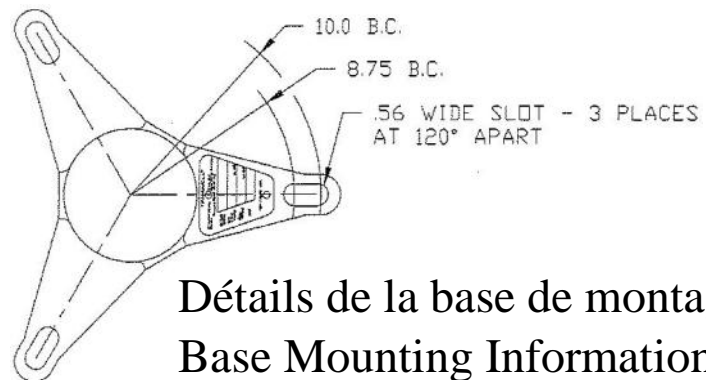
Terminal Option - 4 Holes NEMA Pad
Suffix -3002 to order.
i.e., 300003-3002.



Option Connecteur
Suffix -3002 pour commander.
Gamme de conducteurs .25 to .81 pouce.
Ex: 300003-3002.

Connector Option
Suffix -3002 to order.
Range of conductor sizes .25 to .81 inch.
i.e., 300003-3002.

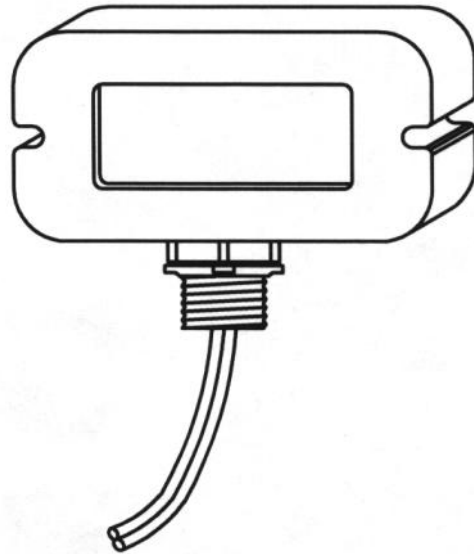
Protection



Détails de la base de montage
Base Mounting Information



OPTIONS CONNECTEURS POUR PARAFOUDRE / ARRESTER CONNECTOR OPTIONS



Numéro de catalogue. Catalog number.	Arrester rating (kV rms).	Nombre de pole. Number of poles.
ASZ175B1	175	1
ASZ175B2	175	2
ASZ175B3	175	3
ASZ350B1	350	1
ASZ350B2	350	2
ASZ350B3	350	3
ASZ650B1	650	1
ASZ650B2	650	2
ASZ650B3	650	3

PARAFOUDRE SECONDAIRE / SECONDARY ARRESTER