

Origin:

Customer:



**PTS**  
**ÉLECTRIQUE Ltée**

ISO 9001

20201 Clark Graham, Baie-D'Urfé, QC H9X 3T5  
Tél: (514) 457-8886 / 1-800-363-8420 Fax: 514-457-6787  
PTSELECTRIQUE.COM

Approve  
Design

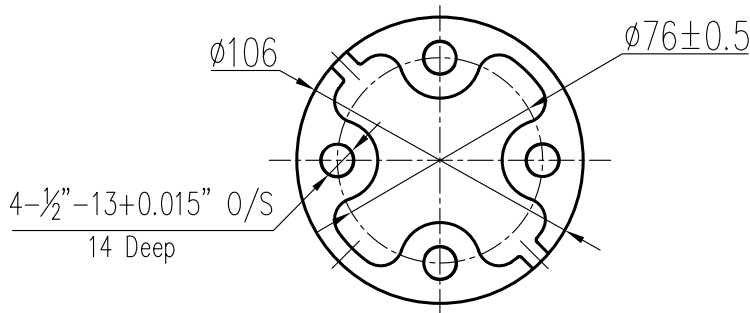
modify

Issue

Approve  
Design

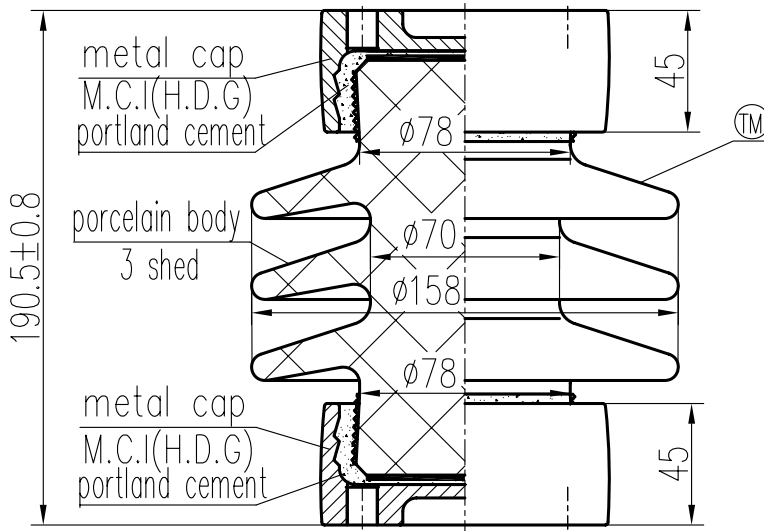
modify

Issue



**ELECTRICAL PROPERTIES**

Low Frequency Flashover Voltage  
Wet: 40kV; Dry: 60kV  
Critical Impulse Flashover Voltage  
Pos.: 105kV; Neg.: 120kV  
Low Frequency Withstand Voltage  
Wet: 30kV; Dry: 36kV  
Impulse Withstand Voltage: 95kV  
Radio Influence Voltage Data:  
Test Voltage to Ground: 5kV;  
Maximum RIV at 1000kHz: 50µV



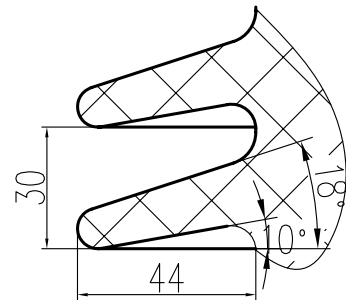
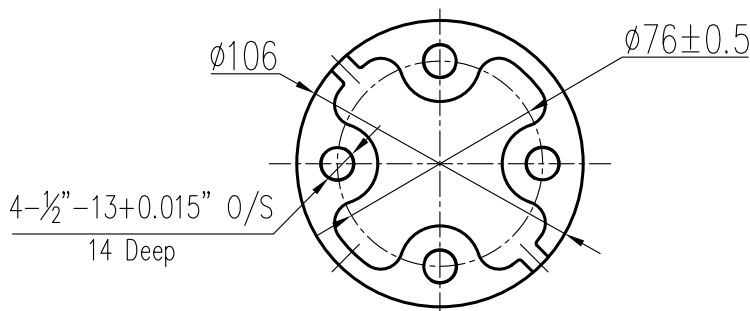
**PHYSICAL PROPERTIES**

Creepage Distance: 267mm  
Net weight: 4.5Kg

**MECHANICAL PROPERTIES**

Cantilever Strength Upright/Underhung: 8.9kN  
Tension Strength: 38kN  
Torsion Strength: 791N·m  
Compression Strength: 44.5kN

According to Standard Specification:  
ANSI C 29.9 except drawing



SUZHOU PORCELAIN  
INSULATOR WORKS

Scale	1:1.5
Design	W.C.M
Check	L.H.X
Approve	Z.Y.X
Date	1997.01.19

SOLID CORE STATION  
POST INSULATOR

Designation	
Cat.No.	TR202
Drawing No.	344290E0
Issue	1