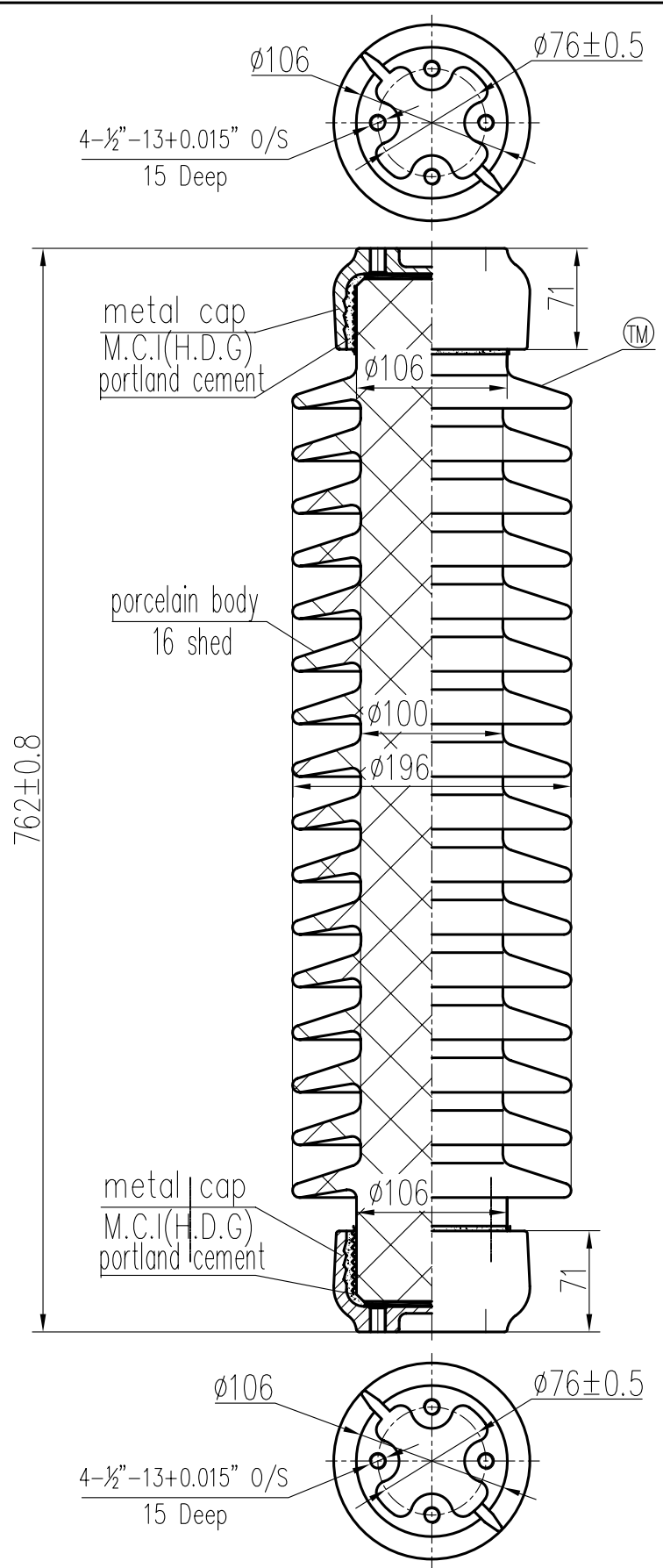


Origin:

Customer:

ISO 9001

			Approve	Design					
			Approve	Design					
		modify			Issue				
			Approve	Design					
		modify							
A	Issue								



ELECTRICAL PROPERTIES

Low Frequency Flashover Voltage
 Wet: 180kV; Dry: 235kV
 Critical Impulse Flashover Voltage
 Pos.: 390kV; Neg.: 475kV
 Low Frequency Withstand Voltage
 Wet: 145kV; Dry: 175kV
 Impulse Withstand Voltage: 350kV
 Radio Influence Voltage Data:
 Test Voltage to Ground: 44kV;
 Maximum RIV at 1000kHz: 200µV

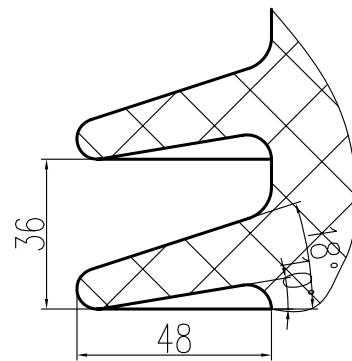
PHYSICAL PROPERTIES

Creepage Distance: 1829mm
 Net weight: 30Kg

MECHANICAL PROPERTIES

Cantilever Strength Upright/Underhung: 6.7kN
 Tension Strength: 72kN
 Torsion Strength: 1700N·m
 Compression Strength: 112kN

According to Standard Specification:
 ANSI C 29.9 except drawing



SUZHOU PORCELAIN
 INSULATOR WORKS

Scale	1:2.5
Design	W.C.M
Check	L.H.X
Approve	Z.Y.X
Date	2008.03.31

SOLID CORE STATION
 POST INSULATOR

Designation	
Cat.No.	TR216
Drawing No.	348460E3
Issue	1