

Origin:

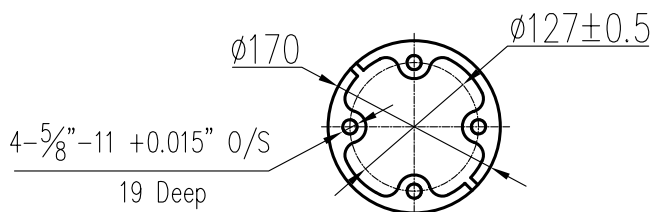
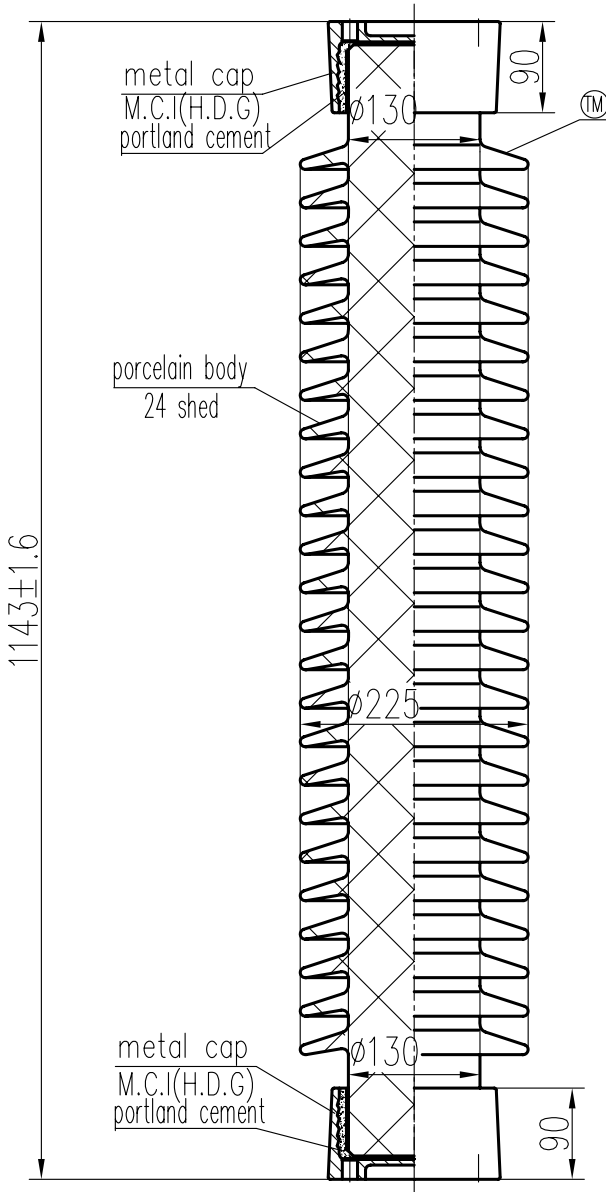
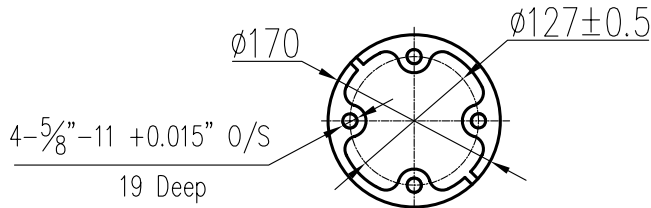
Customer:

20201 Clark Graham, Baie-D'Urfé, QC H9X 3T5

Tél: (514) 457-8886 / 1-800-363-8420 Fax: 514-457-6787

PTSELECTRIQUE.COM

	Design	Approve
	modify	
	Issue	
	Design	Approve
	modify	
A	Issue	



ELECTRICAL PROPERTIES

Low Frequency Flashover Voltage
Wet: 285kV; Dry: 385kV
Critical Impulse Flashover Voltage
Pos.: 610kV; Neg.: 780kV
Low Frequency Withstand Voltage
Wet: 230kV; Dry: 280kV
Impulse Withstand Voltage: 550kV
Radio Influence Voltage Data:
Test Voltage to Ground: 73kV;
Maximum RIV at 1000kHz: 200µV

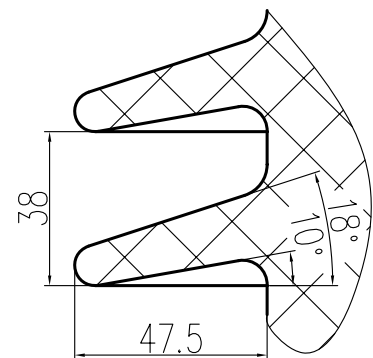
PHYSICAL PROPERTIES

Creepage Distance: 2515mm
Net weight: 69Kg

MECHANICAL PROPERTIES

Cantilever Strength Upright/Lever: 11.6kN
Tension Strength: 111.2kN
Torsion Strength: 10170N·m
Compression Strength: 333.6kN

According to Standard Specification:
ANSI C 29.9 except drawing



SUZHOU PORCELAIN
INSULATOR WORKS

Scale	1: 4
Design	W.C.M
Check	L.H.X
Approve	Z.Y.X
Date	1997.02.04

SOLID CORE STATION
POST INSULATOR

Designation	
Cat.No.	TR287
Drawing No.	349390E4
Issue	1