

Origin:

Customer:

20201 Clark Graham, Baie-D'Urfé, QC H9X 3T5
Tél: (514) 457-8886 / 1-800-363-8420 Fax: 514-457-6787
PTSELECTRIQUE.COM

Design Approve

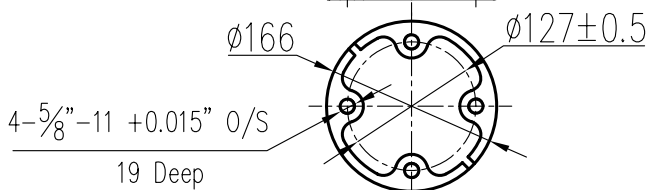
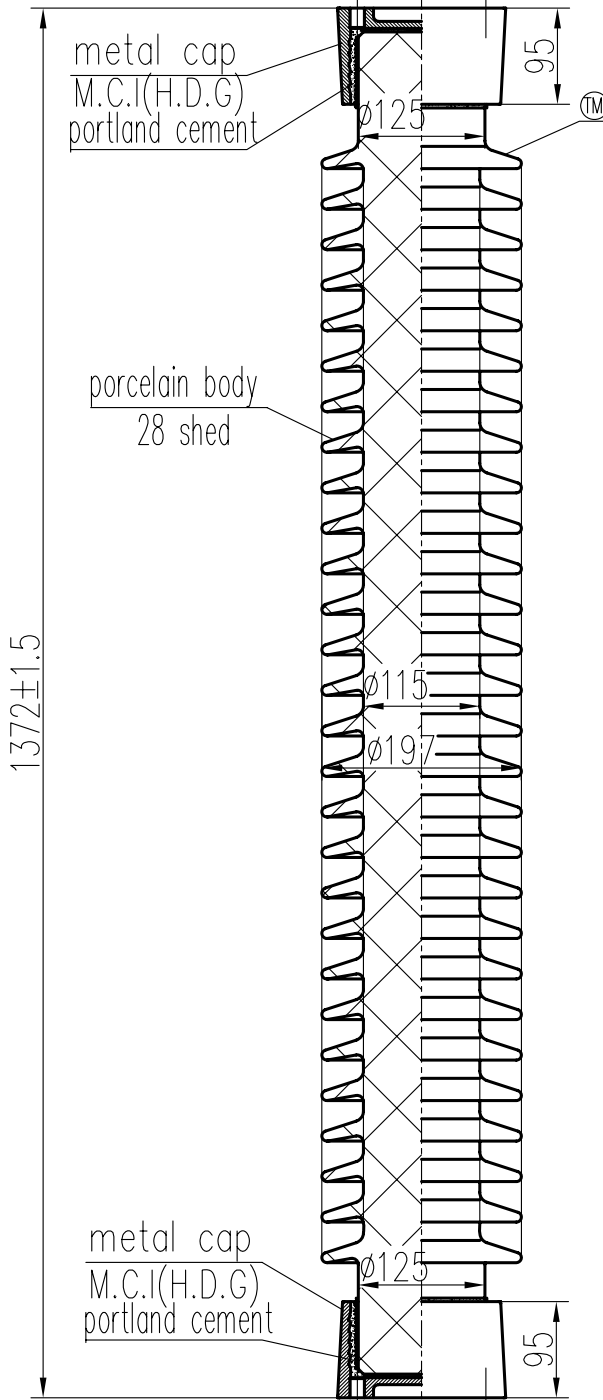
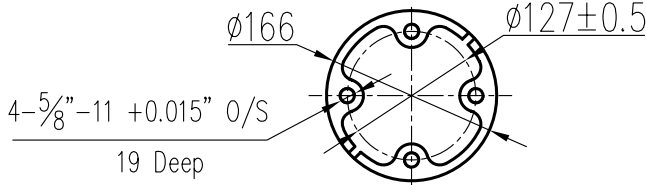
modify

Issue

Design Approve

modify

Issue



ELECTRICAL PROPERTIES

Low Frequency Flashover Voltage
Wet: 335kV; Dry: 435kV
Critical Impulse Flashover Voltage
Pos.: 710kV; Neg.: 900kV
Low Frequency Withstand Voltage
Wet: 275kV; Dry: 335kV
Impulse Withstand Voltage: 650kV
Radio Influence Voltage Data:
Test Voltage to Ground: 88kV;
Maximum RIV at 1000kHz: 200µV

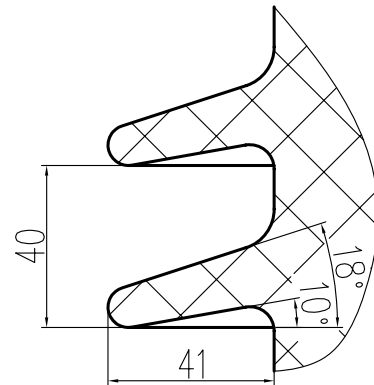
PHYSICAL PROPERTIES

Creepage Distance: 2947mm
Net weight: 67.2Kg

MECHANICAL PROPERTIES

Cantilever Strength Upright/Lever: 6.5N
Torsion Strength: 6.78kN·m
Tension Strength: 89kN
Compression Strength: 266.9kN

According to Standard Specification:
ANSI C 29.9 except drawing



SUZHOU PORCELAIN
INSULATOR WORKS

Scale	1: 4
Design	W.C.M
Check	L.H.X
Approve	Z.Y.X
Date	2006.07.04

SOLID CORE STATION
POST INSULATOR

Designation	
Cat.No.	TR288
Drawing No.	349410E5
Issue	1