

Origin:

Customer:



PTS
ÉLECTRIQUE Ltée

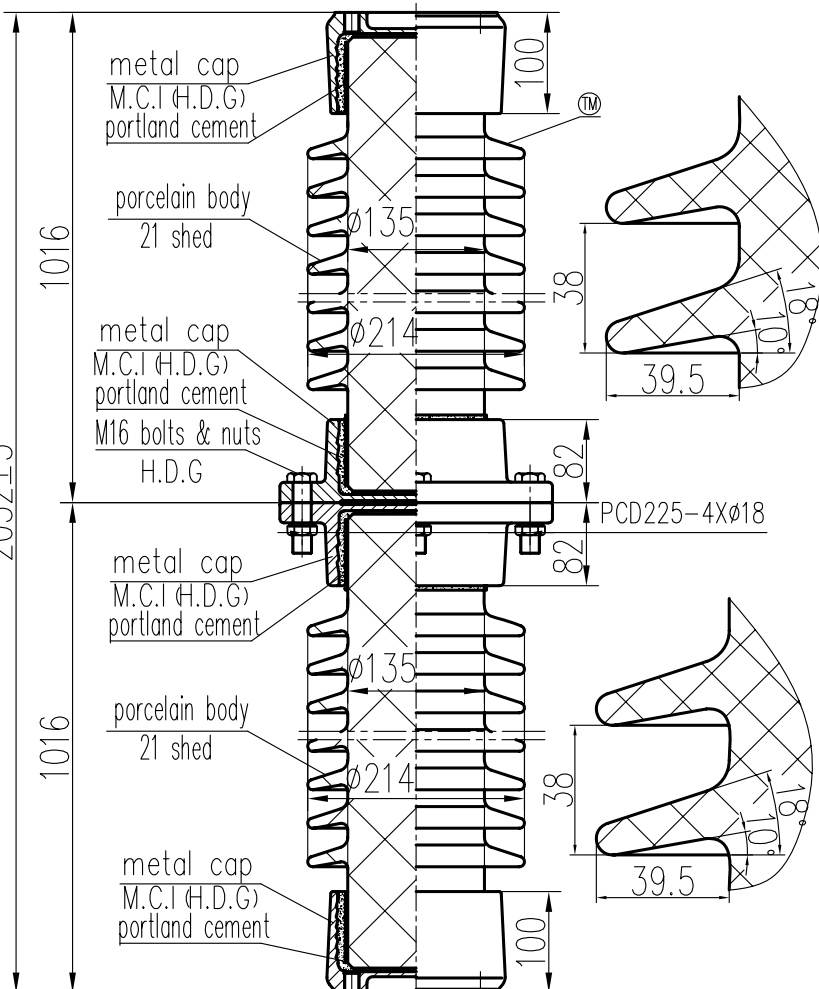
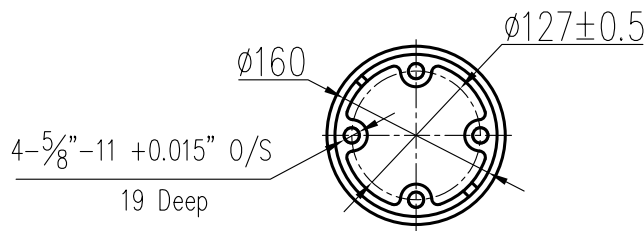
ISO 9001

20201 Clark Graham, Baie-D'Urfé, QC H9X 3T5

Tél: (514) 457-8886 / 1-800-363-8420 Fax: 514-457-6787

PTSELECTRIQUE.COM

3	2011.08.08	Change Impulse Withstand Voltage: 900kV → 950kV	Z.Y.X	Approve	Design	Approve	Issue	2032±3	modify	Design	Approve
			L.H.X								
2	2011.02.16	Change Compression Strength 334kN → 400.4kN	Z.Y.X	Approve	Design	Approve	Issue	2032±3	modify	Design	Approve
			L.H.X								
Issue	Date	2007.02.26	Approve	Z.Y.X	Check	L.H.X	Design	W.C.M	Scale	1:4	



ELECTRICAL PROPERTIES

Low Frequency Flashover Voltage
Wet: 475kV; Dry: 575kV
Critical Impulse Flashover Voltage
Pos.: 1010kV; Neg.: 1240kV
Low Frequency Withstand Voltage
Wet: 385kV; Dry: 465kV
Impulse Withstand Voltage: 950kV
Radio Influence Voltage Data:
Test Voltage to Ground: 146kV;
Maximum RIV at 1000kHz: 500µV

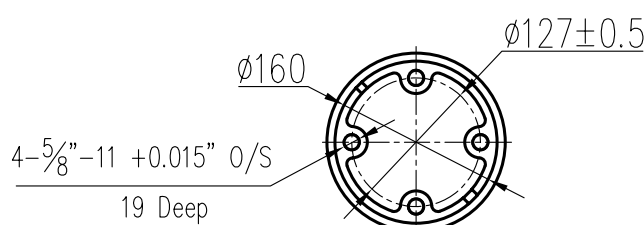
PHYSICAL PROPERTIES

Creepage Distance: 4191mm
Net weight: 136Kg

MECHANICAL PROPERTIES

Cantilever Strength Upright/Lever: 6.5kN
Torsion Strength: 10170N·m
Tension Strength: 112kN
Compression Strength: 334kN

According to Standard Specification:
ANSI C 29.9 except drawing



SUZHOU PORCELAIN
INSULATOR WORKS

SOLID CORE STATION
POST INSULATOR

Designation	
Cat.No.	TR308
Drawing No.	36919AE1
Issue	3