

Origin:

Customer:



PTS
ÉLECTRIQUE Ltée

ISO 9001

20201 Clark Graham, Baie-D'Urfé, QC H9X 3T5

Tél: (514) 457-8886 / 1-800-363-8420 Fax: 514-457-6787

PTSELECTRIQUE.COM

Design Approve

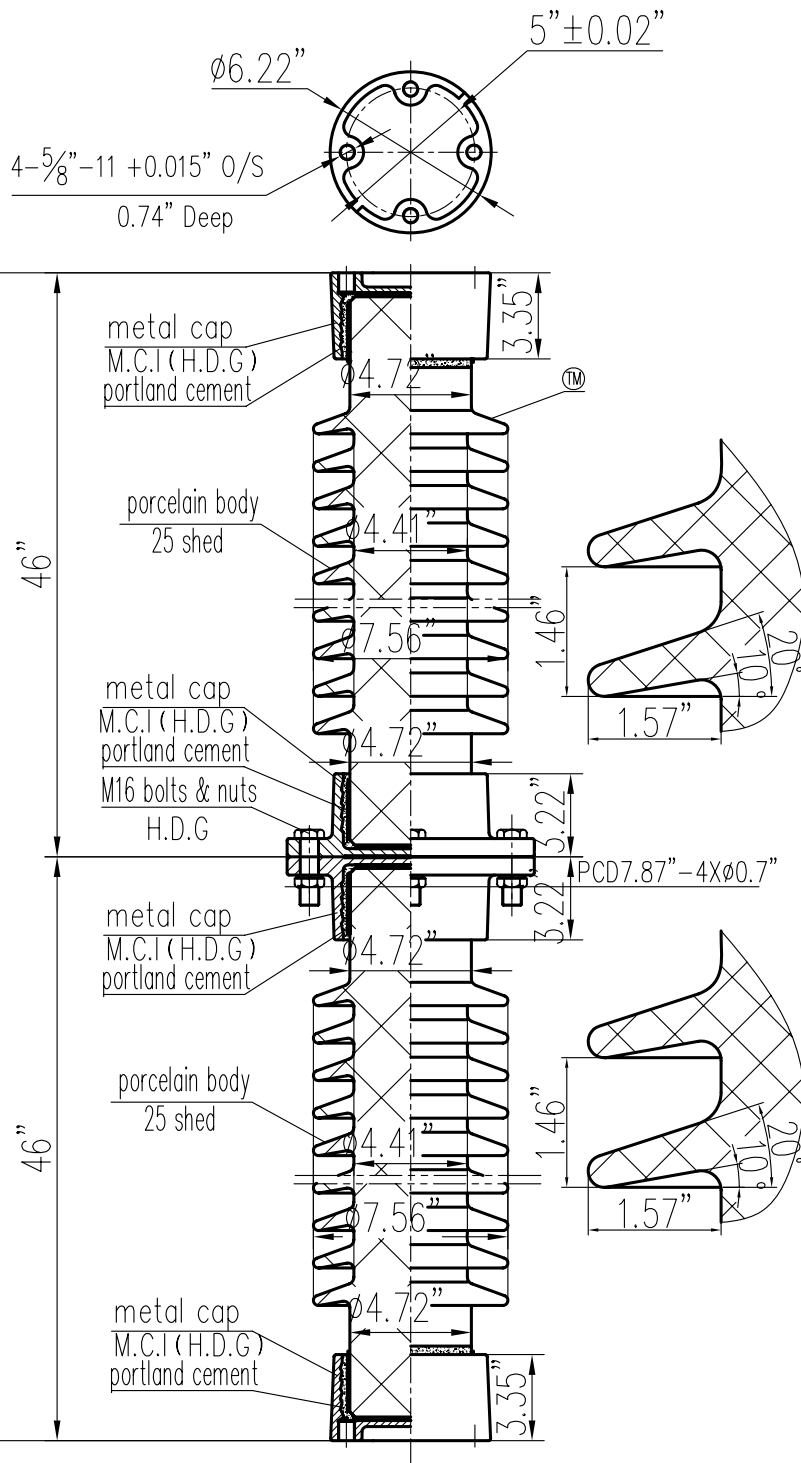
modify

Issue

Design Approve

modify

Issue



ELECTRICAL PROPERTIES

Low Frequency Flashover Voltage
Wet: 570kV; Dry: 660kV
Critical Impulse Flashover Voltage
Pos.: 1210kV; Neg.: 1450kV
Low Frequency Withstand Voltage
Wet: 455kV; Dry: 545kV
Impulse Withstand Voltage: 1050kV
Radio Influence Voltage Data:
Test Voltage to Ground: 146kV;
Maximum RIV at 1000kHz: 500μV

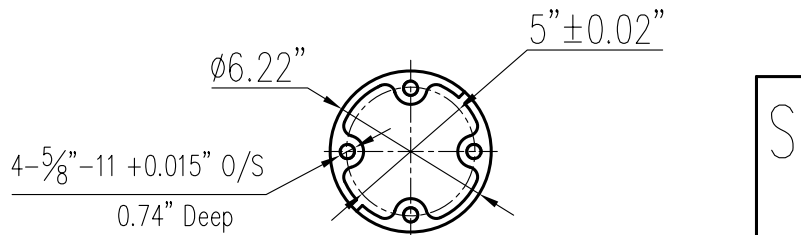
PHYSICAL PROPERTIES

Creepage Distance: 5030mm(198")
Net weight: 116Kg(255.6 lbs)
Dry Arcing Distance: 2015mm(79.3")

MECHANICAL PROPERTIES

Cantilever Strength Upright: 3.6kN (800 lbs)
Cantilever Strength Underhung: 3.6kN (800 lbs)
Torsion Strength: 4520N • m(40000in-lbs)
Tension Strength: 89kN(20000 lbs)
Compression Strength: 267kN(60000 lbs)

According to Standard Specification:
ANSI C 29.9 except drawing



**SUZHOU PORCELAIN
INSULATOR WORKS**

Scale	1: 4
Design	W.C.M
Check	L.H.X
Approve	Z.Y.X
Date	2007.04.04

**ANTI-POLLUTION STATION
POST INSULATOR**

Designation	
Cat.No.	TR312
Drawing No.	369220E2
Issue	1