

Origin:

Customer:



PTS
ÉLECTRIQUE Ltée

ISO 9001

20201 Clark Graham, Baie-D'Urfé, QC H9X 3T5

Tel: (514) 457-8886 / 1-800-363-8420 Fax: 514-457-6787

PTSELECTRIQUE.COM

Design Approve

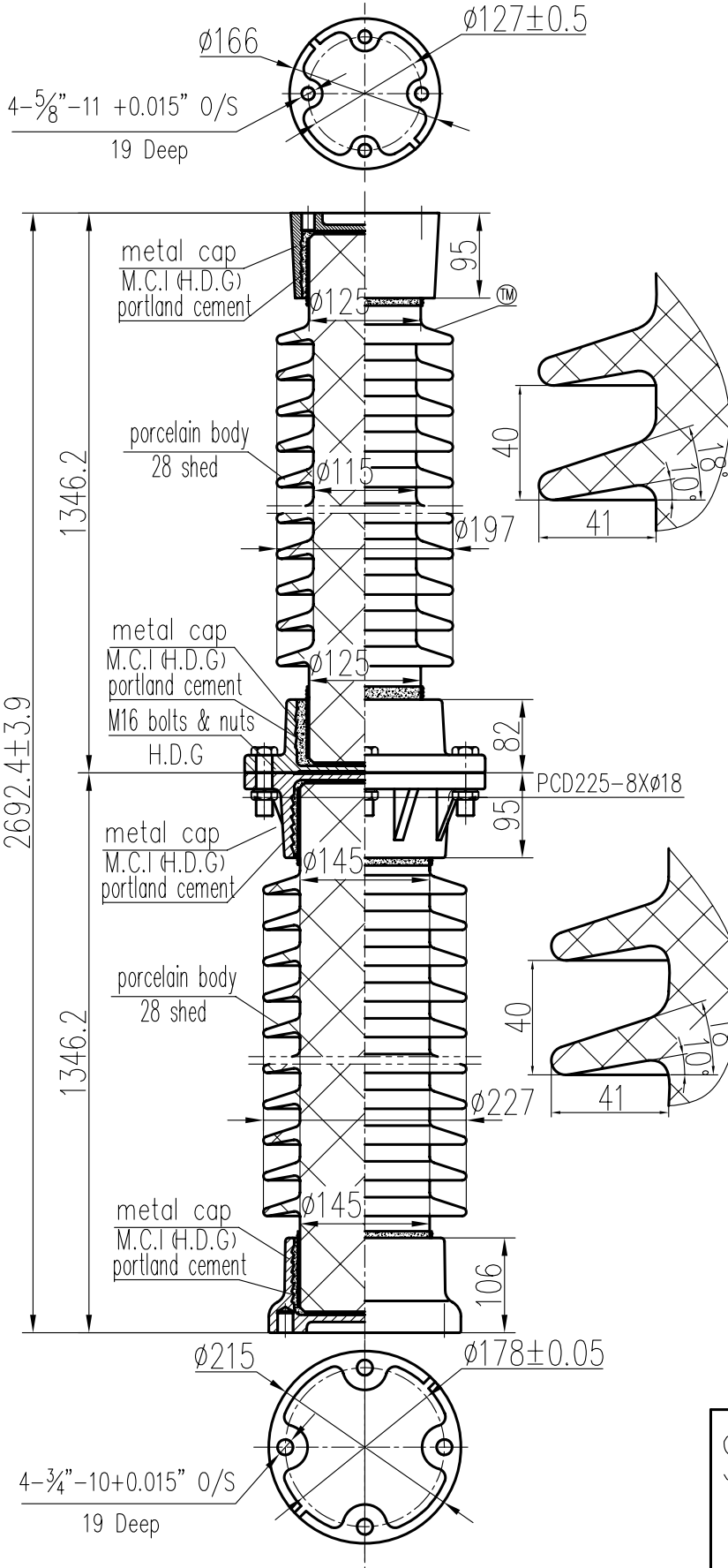
modify

Issue

Design Approve

modify

Issue



ELECTRICAL PROPERTIES

Low Frequency Flashover Voltage
Wet: 660kV; Dry: 745kV
Critical Impulse Flashover Voltage
Pos.: 1410kV; Neg.: 1650kV
Low Frequency Withstand Voltage
Wet: 525kV; Dry: 610kV
Impulse Withstand Voltage: 1300kV
Radio Influence Voltage Data:
Test Voltage to Ground: 220kV;
Maximum RIV at 1000kHz: 1000µV

PHYSICAL PROPERTIES

Creepage Distance: 5969mm
Net weight: 176Kg

MECHANICAL PROPERTIES

Cantilever Strength Upright/Lever: 6.5kN
Torsion Strength: 4520N·m
Tension Strength: 89kN
Compression Strength: 267kN

According to Standard Specification:
ANSI C 29.9 except drawing

SUZHOU PORCELAIN
INSULATOR WORKS

Scale	1: 4
Design	W.C.M
Check	L.H.X
Approve	Z.Y.X
Date	2007.04.04

SOLID CORE STATION
POST INSULATOR

Designation	
Cat.No.	TR367
Drawing No.	36994GE4
Issue	1