

Model # H3PGR-0154

POWER SYSTEMS, INC.

Hubbell LIBERTY Three Phase Ganged Recloser

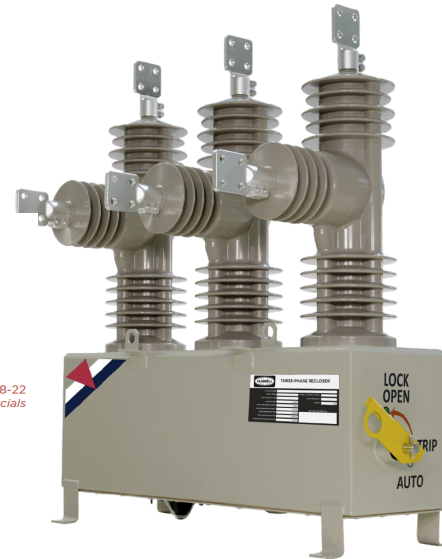
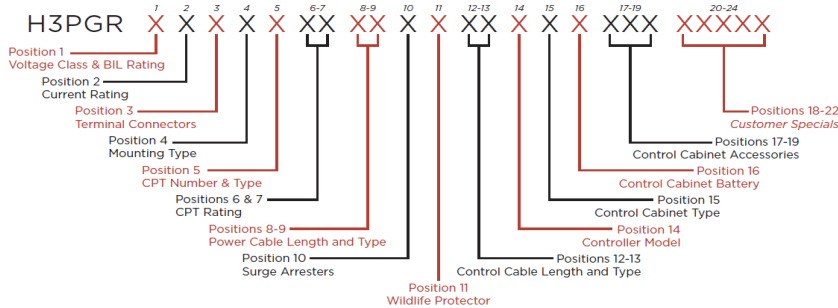
H3PGR-2L1CXXX4UXX4US

27kV, 800A, 16kA, 150kV BIL LIBERTY# Three Phase Ganged

Recloser consisting of:

Catalog Numbering Matrix

Example Part Number: H3PGR1B3C31B4D13S2B1AAXXXXX

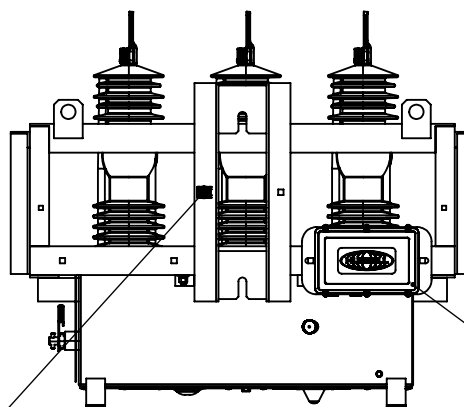
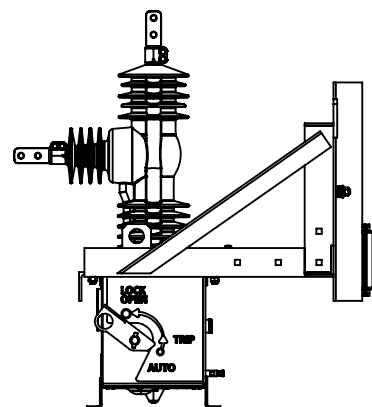
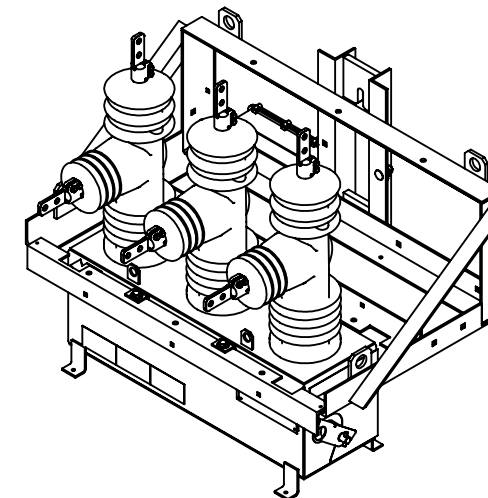
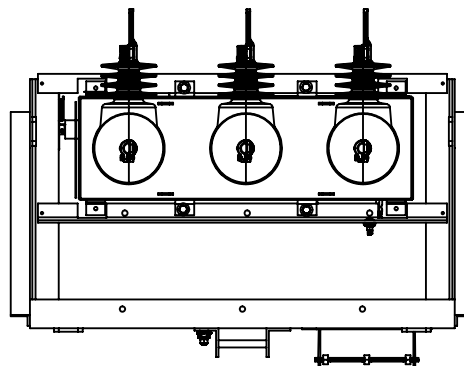


Note: The matrix provided above is for referencing catalog numbering positions only. For a complete ordering chart, including all number options, please contact your Hubbell Power Systems representative.

- (6) Integrated voltage sensors
- (3) Integrated current sensors
- NEMA 2-hole terminals
- Pole Mounting frame: Pole Mount, Center Bracket (with provision for source and load side lightning arrestor, and 1 or 2 Distribution CPT)
- Arrestors: Not included, Optional:
- CPT: Not included, Optional:
- Wildlife guards: Not included, Optional:
- 40 ft. 42-pin control cable (Standard)
- Qty 1. 40 ft. power cable (Standard)
- SEL-651R2 controller (0651R2ADXGA8AE1112B9XX)
- 42-pin multi-recloser interface
- Cabinet: Single Door (Rear Mount), Painted Stainless Steel With 3-Point Latches
- Battery: 16 Amp Hour Battery, 12V
- Secondary Input Voltage: (6) 8 Vac Max LEA Inputs
- Secondary Input Current: 1 Amp Phase, 0.2amp neutral
- Inputs/Outputs: 7-Input (12V DC)/8-Std Output
- Communications Interface : 10/100 Base-T, EIA-485
- Communication Protocol: Standard Protocol
- Power Supply: 120 Vac (Includes GFCI)
- Installed Accessories: 100 W Heater
- 3-Position Pin Contact Receptacle for Input Power (MS26482, Size 12)

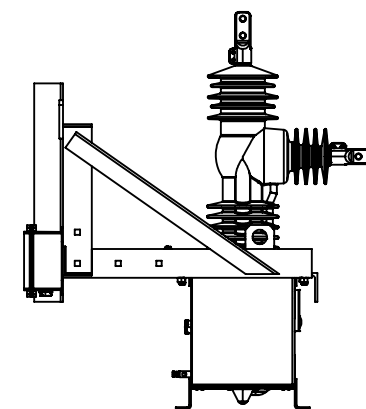
H3PGR-2L1CXXX4UXX4US

2	VOLTAGE CLASS: 27 KV, 150KV BIL
L	CURRENT RATING: 800A, 16KA
1	TERMINALS: NEMA 2-HOLE
C	SWITCH FRAME: POLE MOUNT, CENTER BRACKET (WITH PROVISION FOR SOURCE AND LOAD SIDE LIGHTNING ARRESTOR, AND 1 OR 2 DISTRIBUTION CPT)
X	CPT TYPE: NONE
XX	CPT RATING: NONE
4	POWER CABLE: 40 FT
U	POWER CABLE: STANDARD (NO ARMORING)
X	ARRESTORS: NONE
X	WILDLIFE GUARD: NONE
4	CONTROL CABLE: 40 FT
U	CONTROL CABLE: STANDARD (NO ARMORING)
S	CONTROL CABINET : SEL-651R2 CONTROLLER (0651R2ADXGA8AE1112B9XX) Stainless painted Cabinet

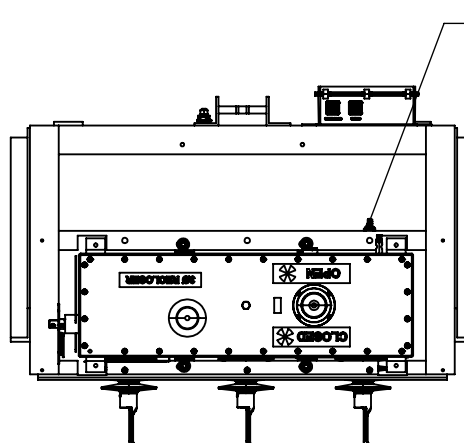


JUNCTION BOX

MAIN EQUIPMENT GROUND



SWITCH GROUND



PTS ÉLECTRIQUE Ltée
 20201 ave. Clark Graham, Baie d'Urfé, Qc H9X 3T5
 Tél. (514)457-8886 Fax. (514)457-6787
 1-800-363-8420 www.ptselectrique.com



TOL. UNLESS NOTED
 .X ±.06
 .XX ±.03
 .XXX ±.015
 ANGLES ±1°
 FLATS ±.005



THIRD ANGLE PROJECTION

THIS DRAWING AND ALL INFORMATION THEREON IS THE SOLE PROPERTY OF HUBBELL. IT MUST NOT BE COPIED, REPRODUCED OR SUBMITTED TO OTHERS WITHOUT WRITTEN AUTHORIZATION. ALL REPRODUCTIONS ARE SUBJECT TO RETURN ON DEMAND.

ALL DIMENSIONS ARE IN INCHES UNLESS OTHERWISE SPECIFIED

APPROVED BY DATE
 D MCGUIRE 10/27/25
 REVIEWED BY DATE

DRAWN BY DATE
 V SANKAR 10/27/25

WEIGHT SCALE 1:10

SIZE B CURRENT ERN

SHEET 1 OF 2

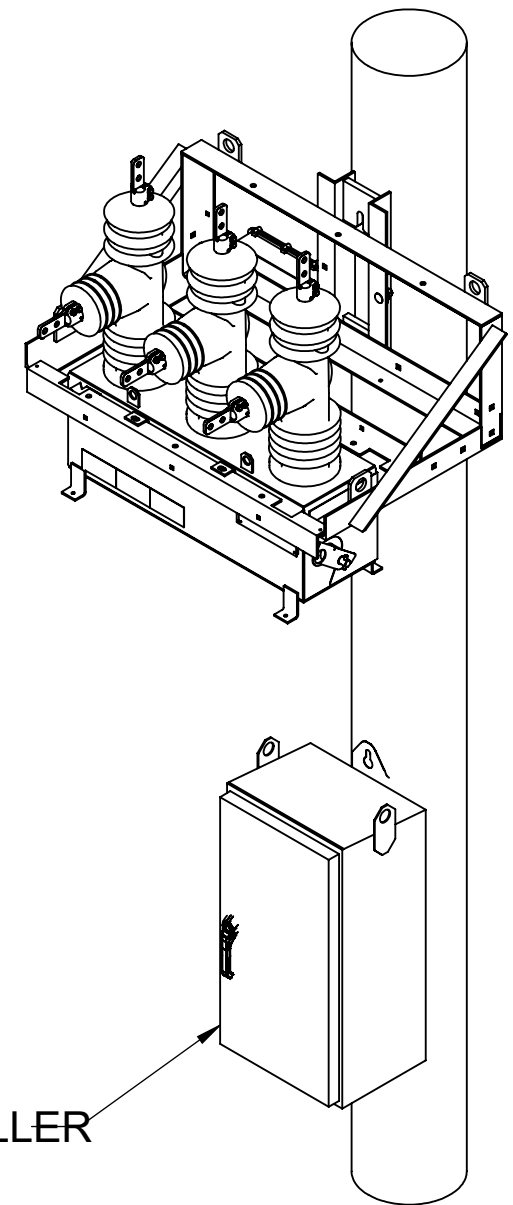
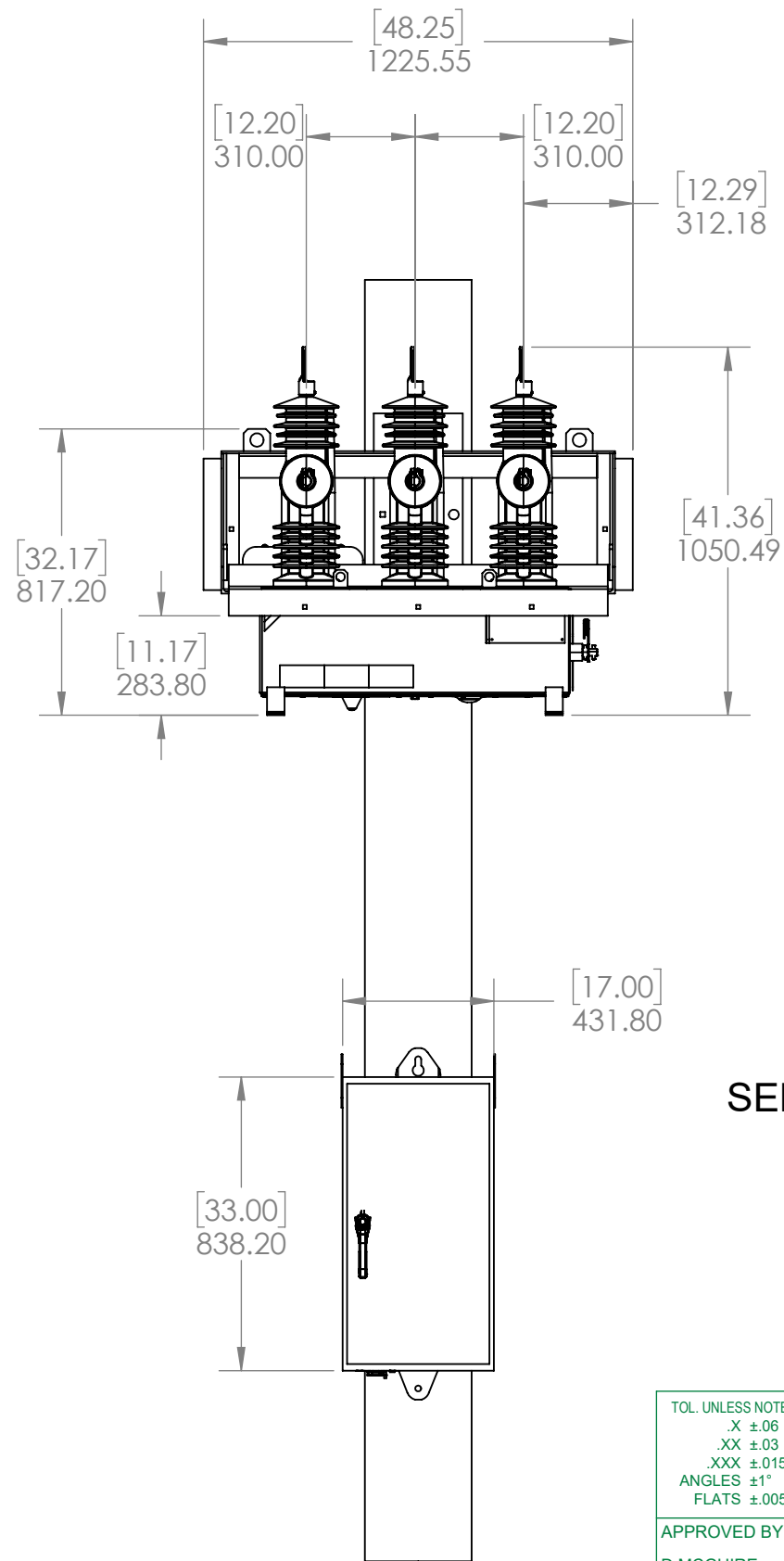
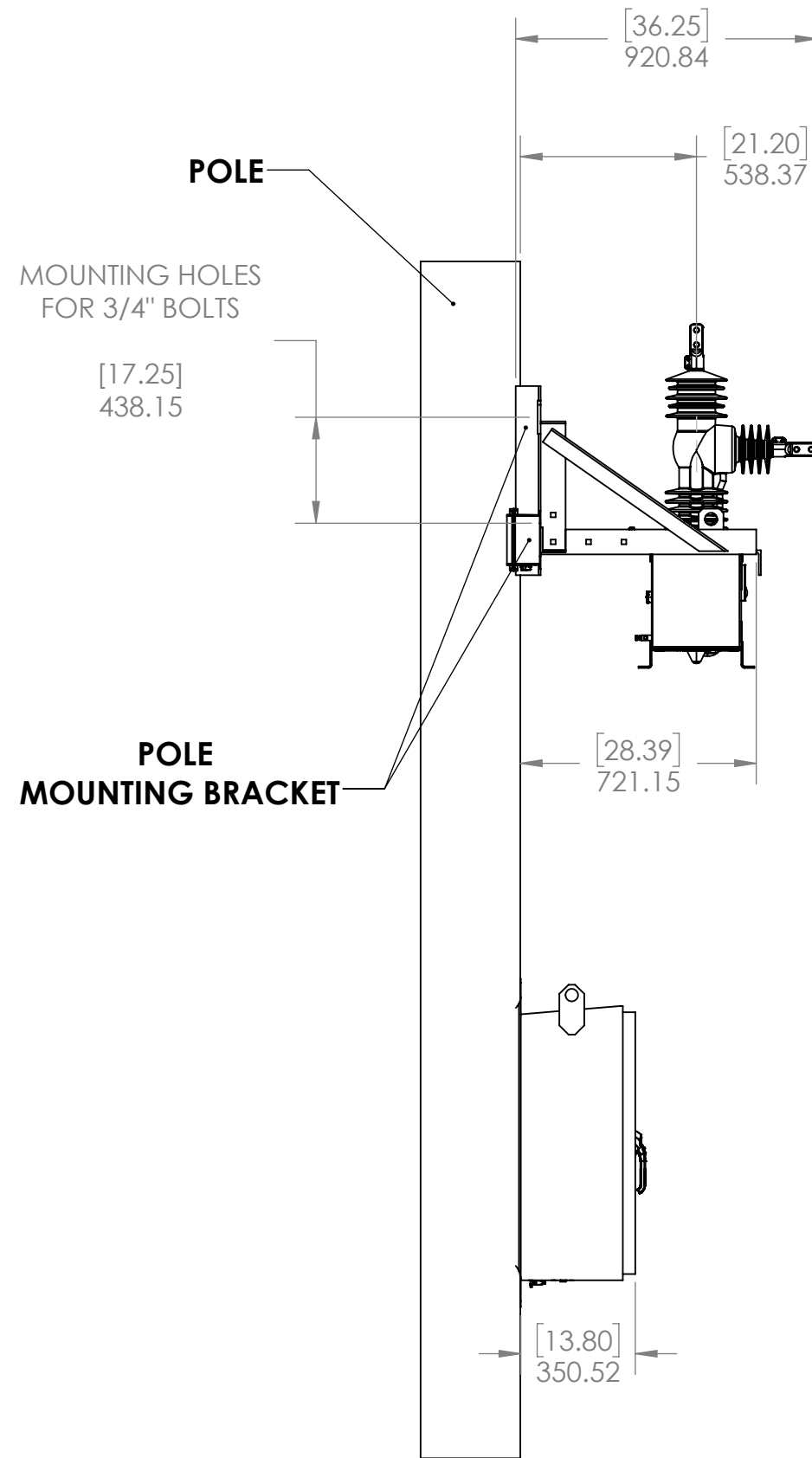
REV 00

**CENTER MOUNT 3GR RECLOSER
 27KV 800A 3GR**

PART NUMBER

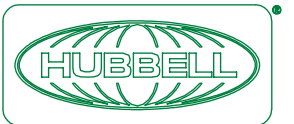
H3PGR-0154

00	INITIAL RELEASE	10/27/25
REV ERN #	DESCRIPTION	DATE BY
REVISIONS		



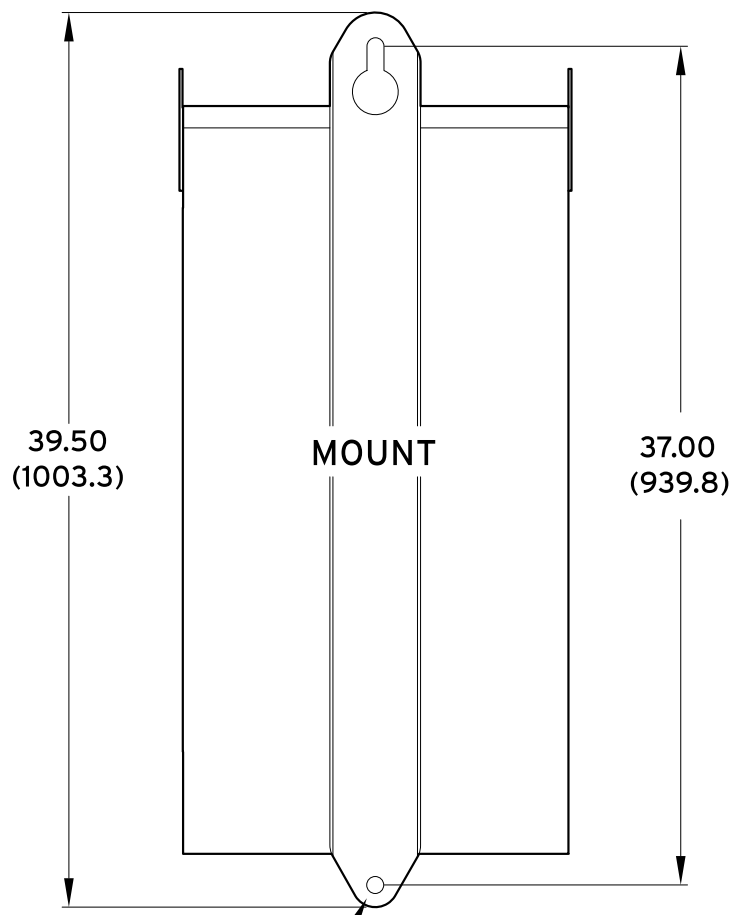
SEL-651R CONTROLLER

PTS
ÉLECTRIQUE Ltée
 20201 ave. Clark Graham, Baie d'Urfé, Qc H9X 3T5
 Tél. (514)457-8886 Fax. (514)457-6787
 1-800-363-8420 www.ptselectrique.com

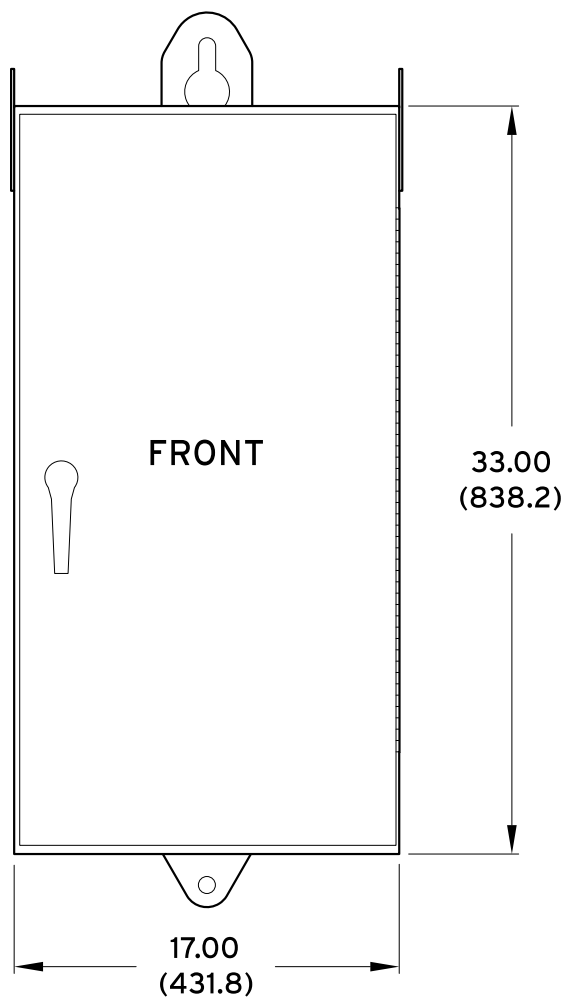


TOL. UNLESS NOTED .X ±.06 .XX ±.03 .XXX ±.015 ANGLES ±1° FLATS ±.005		 THIRD ANGLE PROJECTION		THIS DRAWING AND ALL INFORMATION THEREON IS THE SOLE PROPERTY OF HUBBELL. IT MUST NOT BE COPIED, REPRODUCED OR SUBMITTED TO OTHERS WITHOUT WRITTEN AUTHORIZATION. ALL REPRODUCTIONS ARE SUBJECT TO RETURN ON DEMAND.		ALL DIMENSIONS ARE IN INCHES UNLESS OTHERWISE SPECIFIED	
APPROVED BY D. MCGUIRE		DATE 10/27/25		CENTER MOUNT 3GR RECLOSER 27kV 800A 3GR			
REVIEWED BY		DATE					
DRAWN BY V. SANKAR		DATE 10/27/25					
WEIGHT		SCALE 1:10		SHEET 2 OF 2		PART NUMBER	
SIZE B		CURRENT ERN		REV 00		H3PGR-0154	

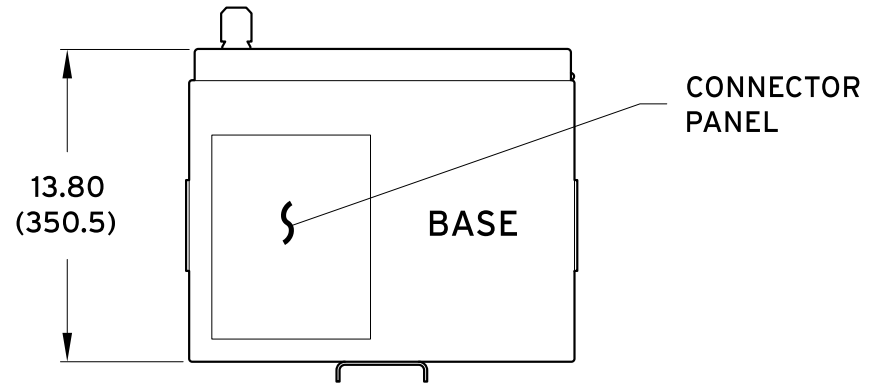
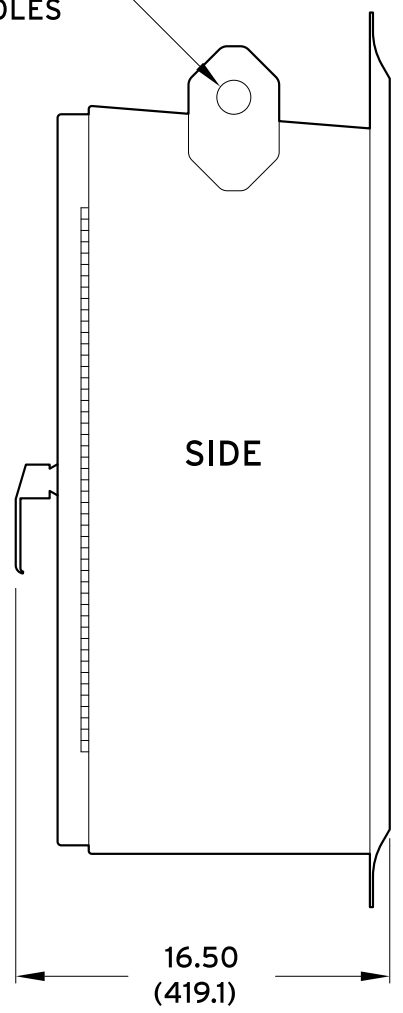
SINGLE DOOR POLE-MOUNT ENCLOSURE



MOUNTING HOLES FOR Ø5/8 (Ø16.0) BOLTS (TYP)



Ø1.50 (Ø38.1)
LIFTING HOLES



LEGEND
in
(mm)

LIBERTY™ THREE PHASE GANGED RECLOSER (3GR) - SEL-651R-2 LINE DIAGRAMS

This document help you understand the control wirings of your Hubbell LIBERTY™ Three Phase Ganged Recloser (LIBERTY™ 3GR) solutions with SEL-651R-2 controllers. You will be able to find the following figures/drawings.

- 32 to 42 pin control pinout
- Current Connections and Polarity
- Trip/Close Circuits
- Recloser Pole Status and Yellow Operating Handle Circuits

Refer to the Liberty 3GR instruction manual for more detailed information.

32-pin Junction box connector	Function	42-pin SEL Controller connector
A	I1	21
B	I2	28
C	I3	35
D	IN	27
F	12VDC	29
G	GND	25
H	GND	19
J	V1Y	36
K	V2Y	37
L	V3Y	38
M	NY	30
N	V1Z	40
P	V2Z	41
R	V3Z	42
S	NZ	39
T	GND	20
U	52a	9
X	69	15
Y	Close 1	2
Z	Trip 1	3
f	Close 2	4
g	Trip 2	5
h	Close 3	6
j	Trip 3	7

Figure 1. The pin mapping for SEL-651R-2 cabinet and 3GR Junction Box

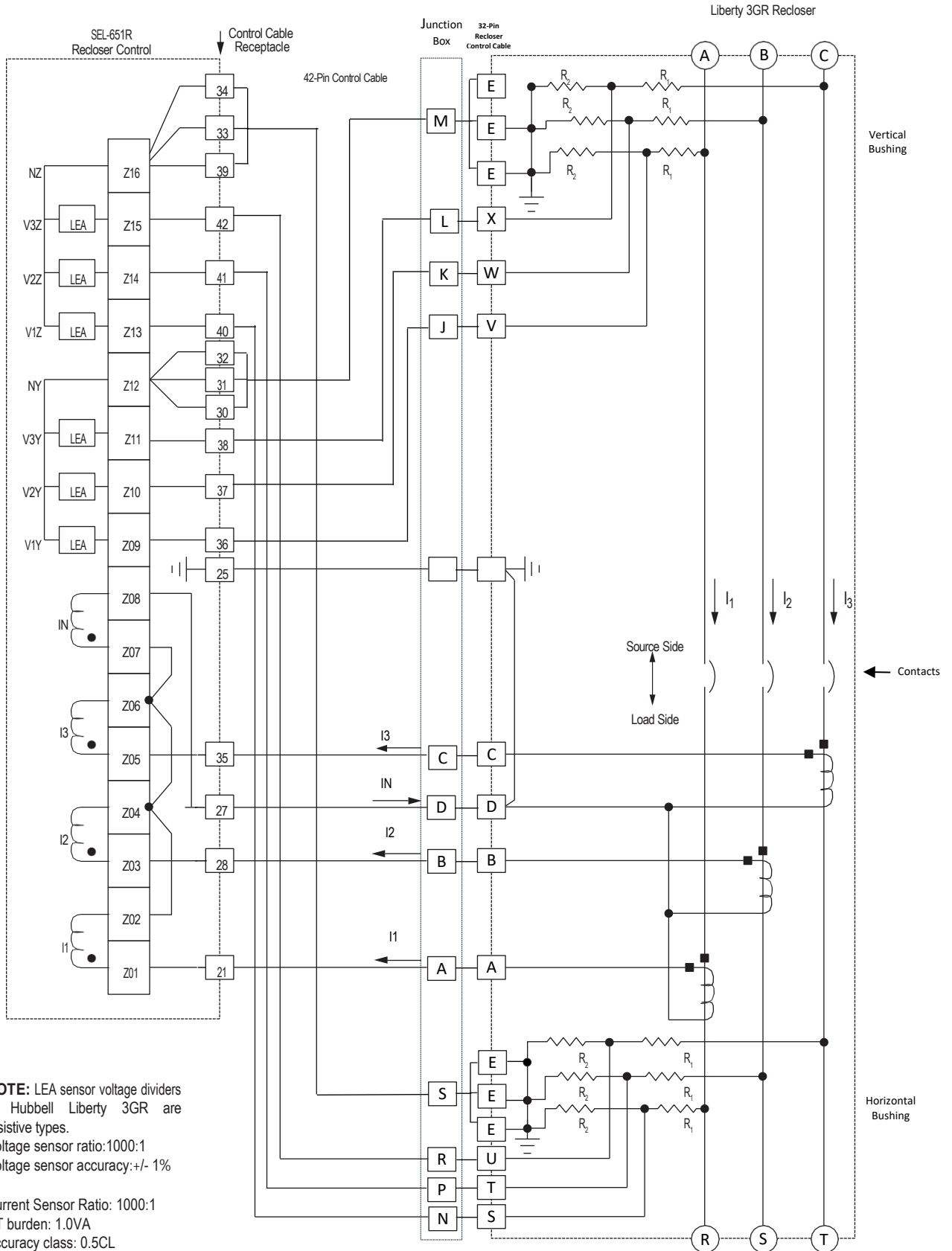


Figure 2. Current Connections and Polarity for the Liberty three phase ganged recloser solution with SEL-651R-2 controller

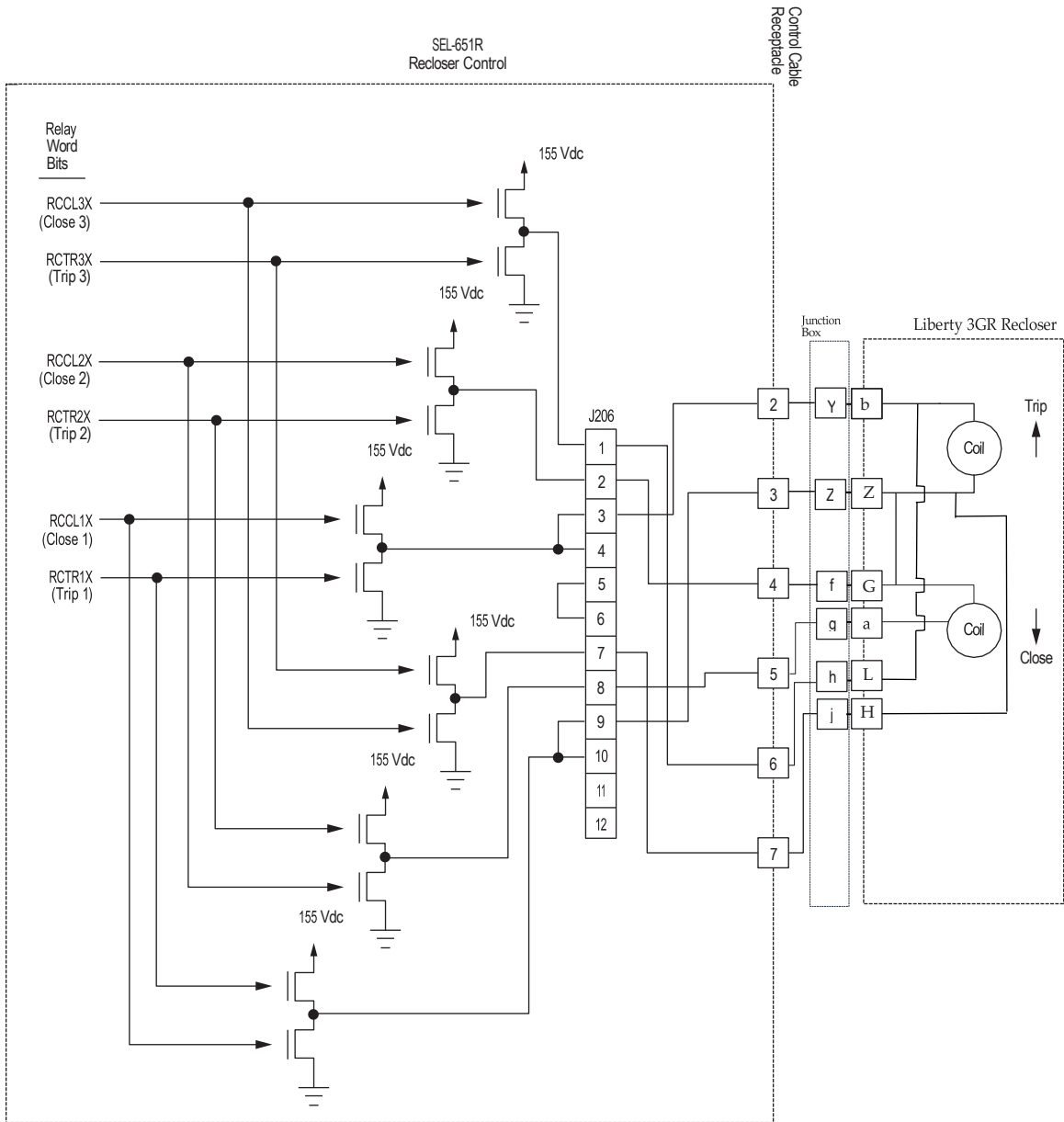


Figure 3. Trip/Close Circuit for Liberty Three-Phase Gang-Operated Recloser solutions with SEL-651R-2 Controller

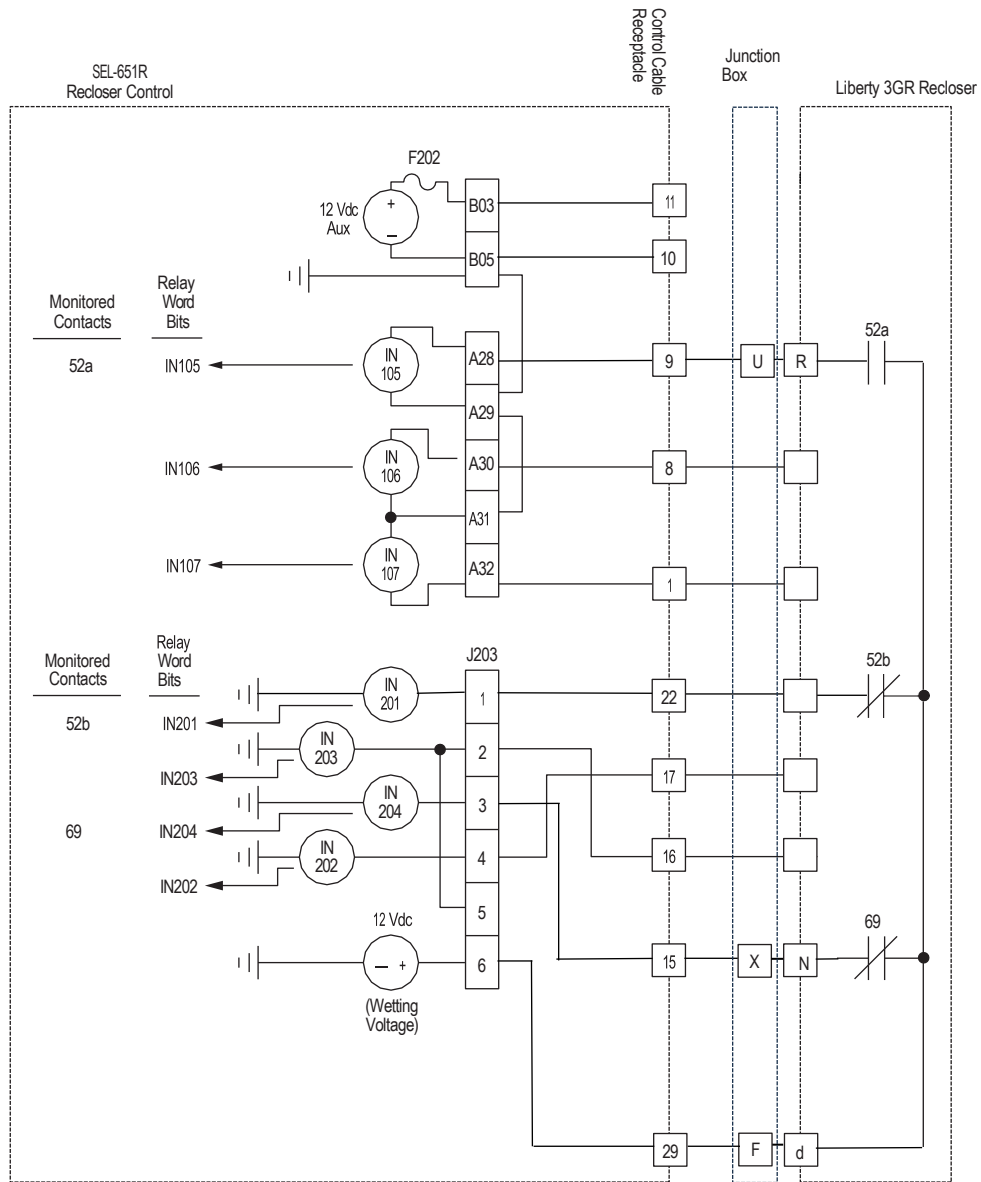


Figure 4. Recloser Pole Status and Yellow Operating Handle Circuits of Liberty 3 phase ganged recloser solution with SEL-651R-2 Controller

Please contact us directly at questions or concerns.



PTS
ÉLECTRIQUE Ltée

20201 ave. Clark Graham, Baie d'Urfé, Qc H9X 3T5
Tél. (514)457-8886 Fax. (514)457-6787
1-800-363-8420 www.ptselectrique.com

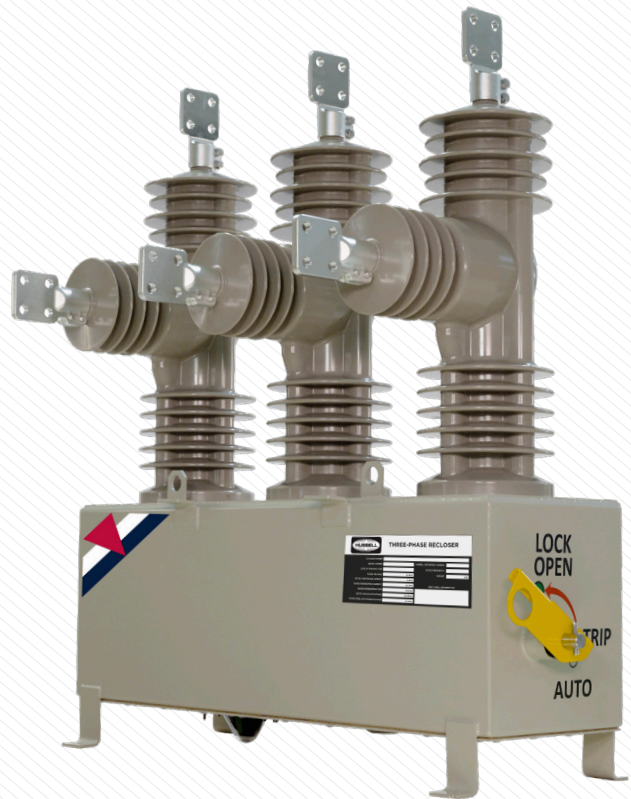
if you have any



LIBERTY™ HB SERIES THREE PHASE RECLOSER

YOUR CHOICE FOR ADVANCED DISTRIBUTION AUTOMATION 3Ø SOLID DIELECTRIC SWITCHES

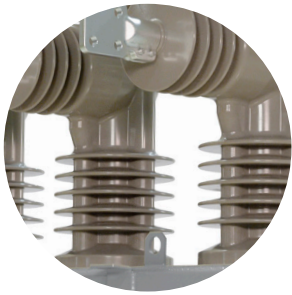
For advanced distribution automation switching applications, Hubbell Utility Solutions has you covered. The HPS LIBERTY™ three phase (3Ø) ganged recloser offering is a pole ready completely integrated solution.



ELECTRICAL SPECIFICATIONS:

Description	Hubbell 3Ø Ganged Recloser	
	15.5kV 16kA	27 kV 16kA
Rated Maximum Voltage (kV)	15.5	27
Rated Power Frequency (Hz)	50/60	50/60
Rated Continuous Current (A RMS)	630	800
Impulse Withstand Voltage (kV)	110	150
Short Circuit Interrupting Current (kA)	16	16
Rated Short Circuit Current - 3 second (kA)	16	16
Rated Peak Withstand Current, Asymmetrical (kA)	41.6	41.6
Rated Mechanical Operations	10,000 (Max. 30,000)	10,000 (Max. 30,000)
Temperature (°C)	-40°C to +60°C	-40°C to +60°C
Switching Performance Test Standard	IEEE / IEC 62271-111	





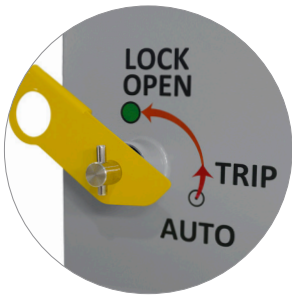
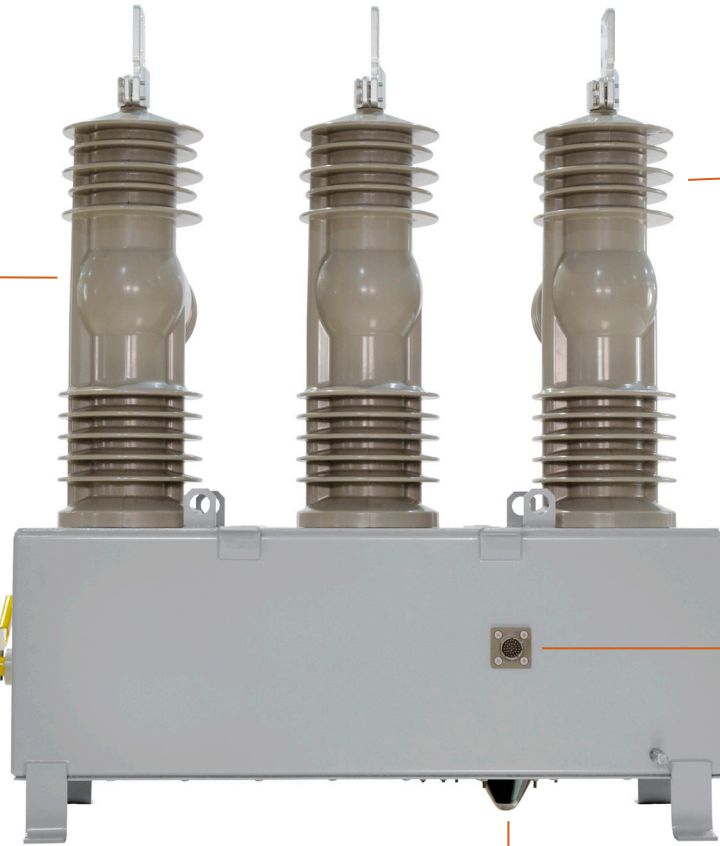
SOLID-DIELECTRIC VACUUM BREAKER TECHNOLOGY

Vacuum interrupter technology encapsulated in hydrophobic cycloaliphatic epoxy material reduces the risk of insulation flashover, provides maximum performance for contaminated environments, and requires no maintenance.



INTEGRATED SENSING

Six Voltage (3 source side and 3 load side) and Three Current Sensors for Advanced Automation & Switching Applications



OPERATIONAL & LOCKOUT HANDLES

For Operating Convenience and Maximum Safety



SINGLE 32-PIN CONNECTOR

MIL spec twist-lock bayonet-style connector meets and exceeds the industry standard



SEMAPHORE & MECHANICAL COUNTER

Highly Visible, Lineman Friendly Position Indication Semaphore

